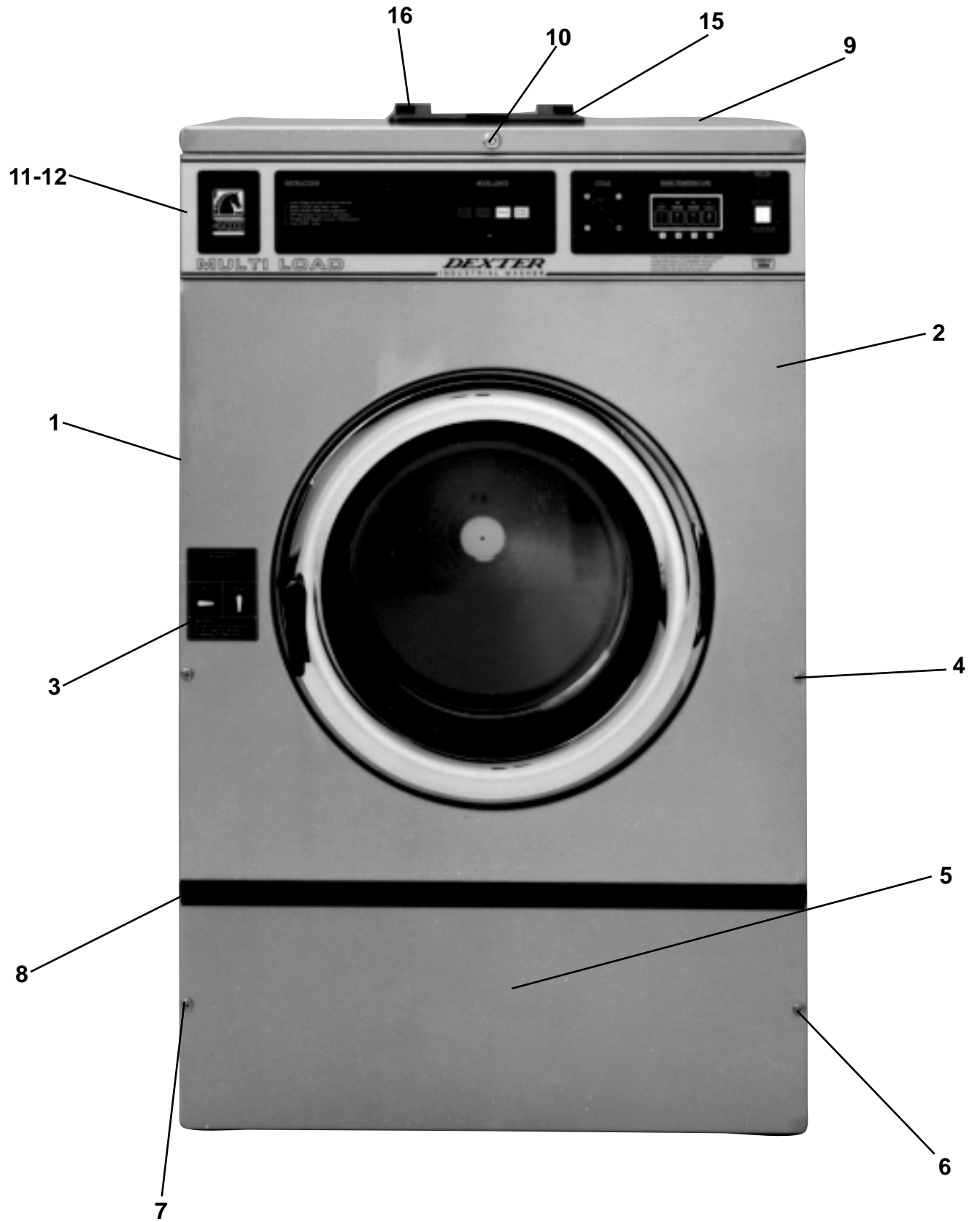


Cabinet and Front Panel Group

Key	Part Number	Description	MODELS	
			WCN25	
			A	A
			A	B
1	9454-656-003	Panel, Side (Left or Right) - Gray	2	2
1	9454-656-001	Panel, Side (Left or Right) - Stainless.....	2	2
*	9545-018-013	Screw, (Side Panel to Base)	6	6
*	8640-414-006	Nut, Hex	6	6
*	9029-066-001	Bracket, Side Panel.....	1	1
*	8640-413-002	Nut, Hex	2	2
*	9545-008-026	Screw	2	2
2	6454-659-001	Panel Assy, Front	1	1
*	9059-063-002	Band, Edge Protector	1	1
*	8640-399-008	Nut, Spring (Attaches Top of Panel)	3	3
*	9545-008-026	Screw, Hex (Attaches Top of Panel)	5	5
3	8502-624-002	Label, Door Opening	1	1
4	9545-008-014	Screw, Flat Head.....	4	4
4	8641-585-001	Washer, Finish.....	4	4
*	9545-008-023	Screw, Guide	2	2
6	8640-399-008	Nut, Spring	2	2
8	9244-081-002	Lower Door Handle	1	1
5	9108-097-001	Door, Lower Service	1	1
6	9545-008-014	Screw Mtg., Flat Head	2	2
6	8641-585-001	Washer, Finish.....	2	2
*	9545-008-023	Screw, Guide	4	4
7	8640-399-008	Nut, Spring	2	2
9	9454-663-001	Panel, Top	1	1
10	8650-012-003	Lock, Top (w/Key)	1	1
*	9306-025-001	Key, Top-6324	1	1
*	9095-038-001	Cam, Lock-Top	1	1
*	8640-426-001	Nut, 9/32	1	1
*	8641-581-008	Washer	1	1
*	9086-017-001	Catch, Top Panel.....	2	2
*	9467-024-001	Post, Top Locator	2	2
*	8640-411-003	Nut, Keps	2	2
*	9355-001-001	Locator, Panel	2	2
*	9545-008-025	Screw, #10	2	2
11	9412-095-002	Nameplate, Control Panel	1	1
12	9989-458-001	Panel, Control (Mounts Nameplate)	1	1
*	9545-008-006	Screw, Control Panel Mtg	4	4
15	9108-095-003	Door, Dispenser	1	1
*	9451-191-001	Pin, Plain	2	2
16	9467-025-001	Post,Door Mounting	2	2
*	9545-045-002	Screws, Dispenser Post Mtg.	4	4
*	9545-008-012	Screws, Dispenser Mounting	4	4
*	8640-399-007	Nuts, Spring	4	4

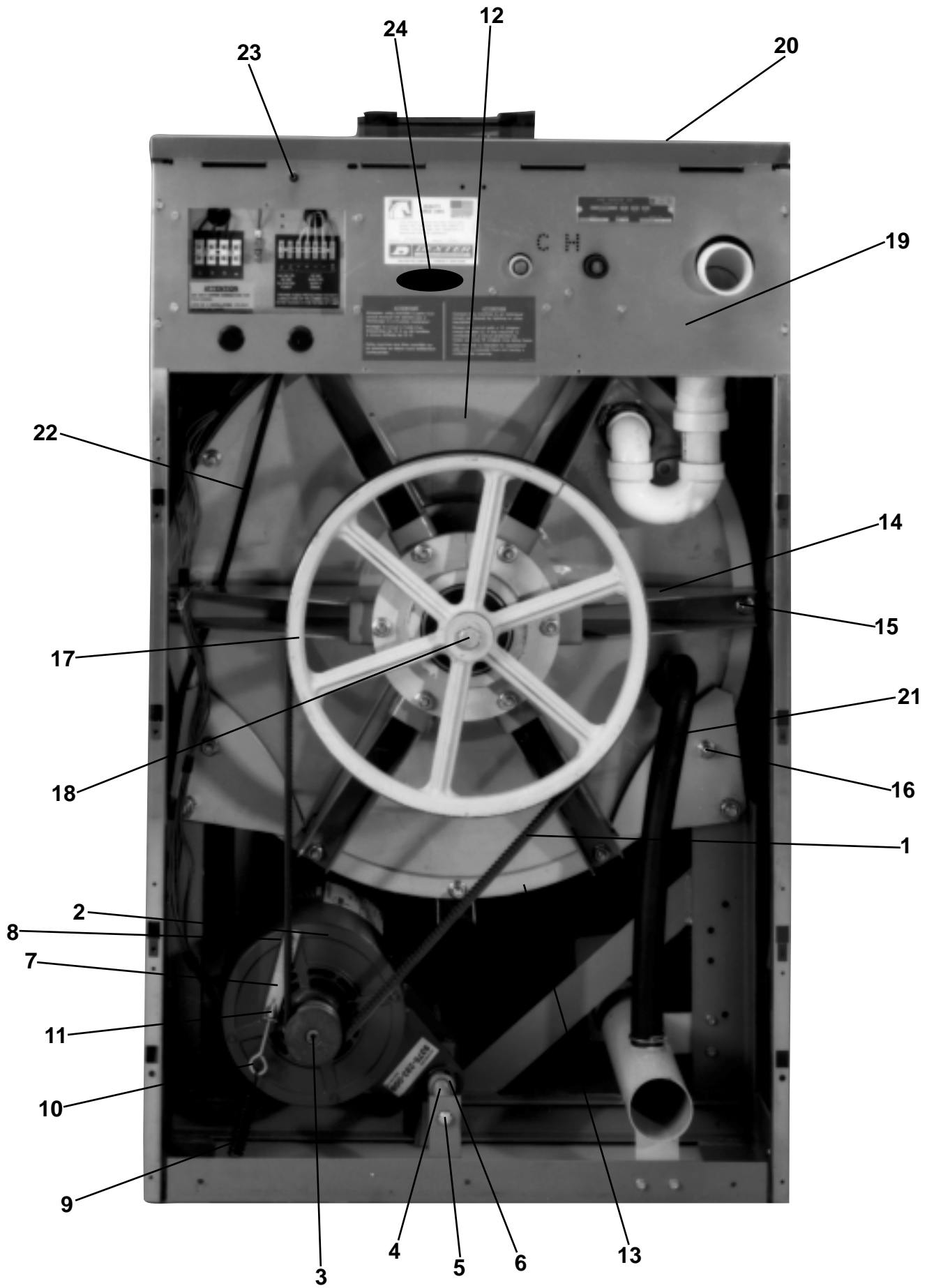
* Not Illustrated



REAR VIEW

Key	Part Number	Description	MODELS	
			WCN25	
			A	A
1	9040-076-005	Drive Belt	2	2
2	9732-127-001	Drive Motor, 1 Phase	1	
2	9732-127-002	Drive Motor, 3 Phase		1
3	9453-170-002	Pulley, Motor	1	1
*	9545-028-015	Set Screw, Sq. Hd.	2	2
4	9497-222-002	Rod, Motor Mtg	1	1
5	9545-029-005	Screw (end of motor rod)	1	1
5	8641-582-014	Lockwasher (end of motor rod).....	1	1
6	9076-052-002	Collar, Shaft (w/set screws)	3	3
*	9053-074-001	Bushing, Motor Hangar (for Magna-Tek Motors)	2	2
7	9029-027-003	Strap, Motor Tension.....	1	1
8	8640-413-002	Nut, Strap to Motor	1	1
8	8641-581-006	Washer	1	1
9	9534-319-002	Spring, Belt Tension	1	1
10	9545-055-001	Bolt, Eye	1	1
11	8640-414-003	Nut, 1/4 Elastic Stop	1	1
12	9732-137-002	Back Assy. Tub	1	1
13	9950-041-002	Ring Assy., Tub Mtg.- Rear	1	1
14	9991-048-002	Support Assy., Bearing Hsg.	6	6
15	9545-029-003	Screw, 1 1/2	10	10
16	9545-029-006	Screw, 1 3/4	2	2
*	8640-415-004	Nut, Flange Lock.....	12	12
*	9552-038-003	Shim	AR	AR
17	9453-168-004	Pulley, Driven	1	1
18	9545-017-009	Screw	1	1
18	8641-581-026	Washer, Flat	1	1
18	8641-582-016	Lockwasher	1	1
19	9081-115-001	Channel, Rear	1	1
*	9545-008-026	Screw	4	4
*	8640-399-004	Nut, Spring	4	4
*	9454-655-002	Panel, Back Guard	1	1
20	9454-663-001	Panel, Top	1	1
21	9242-449-002	Hose, Overflow	1	1
*	8654-029-000	Clamp, Hose	2	2
*	9989-446-002	Panel Assy., Back	1	1
*	9545-008-026	Screw	10	10
*	8640-399-004	Nut, Spring	10	10
22	9242-175-000	Hose, Pressure Switch	1	1
*	8654-117-015	Clamp, Pressure Sw. Hose	1	1
23	5198-211-004	Circuit Breaker, 1.5 amp	1	1
24	9242-463-002	Overflow Hose 11"	1	1

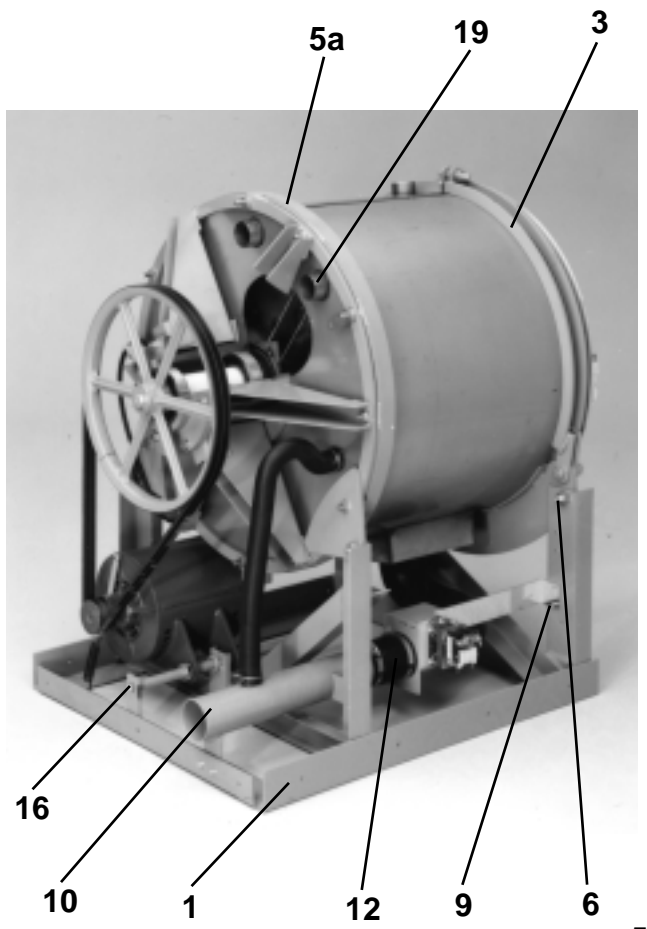
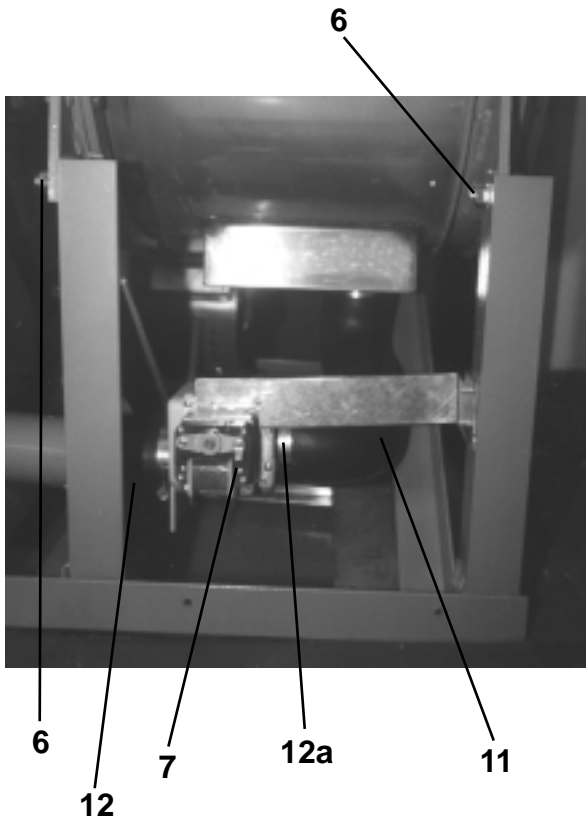
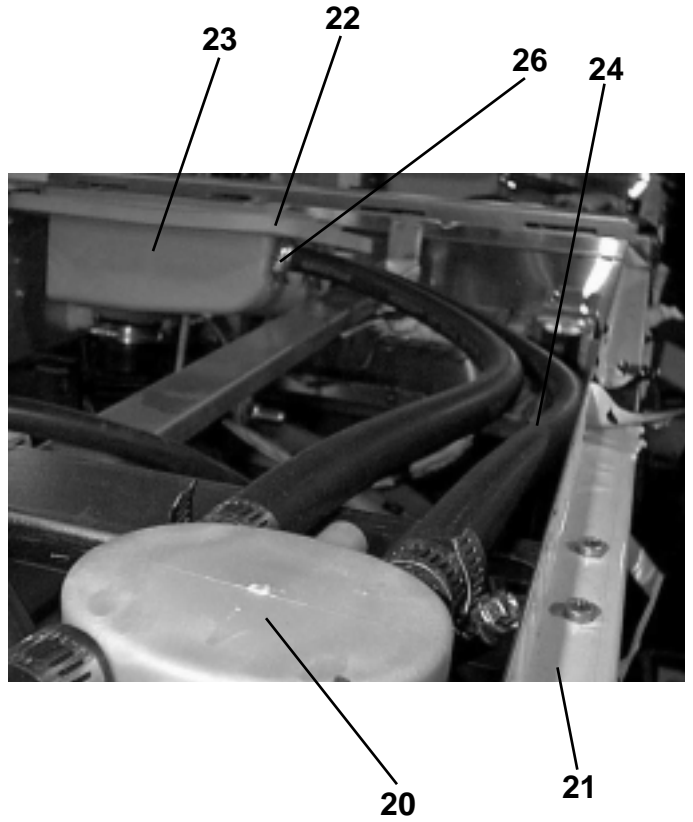
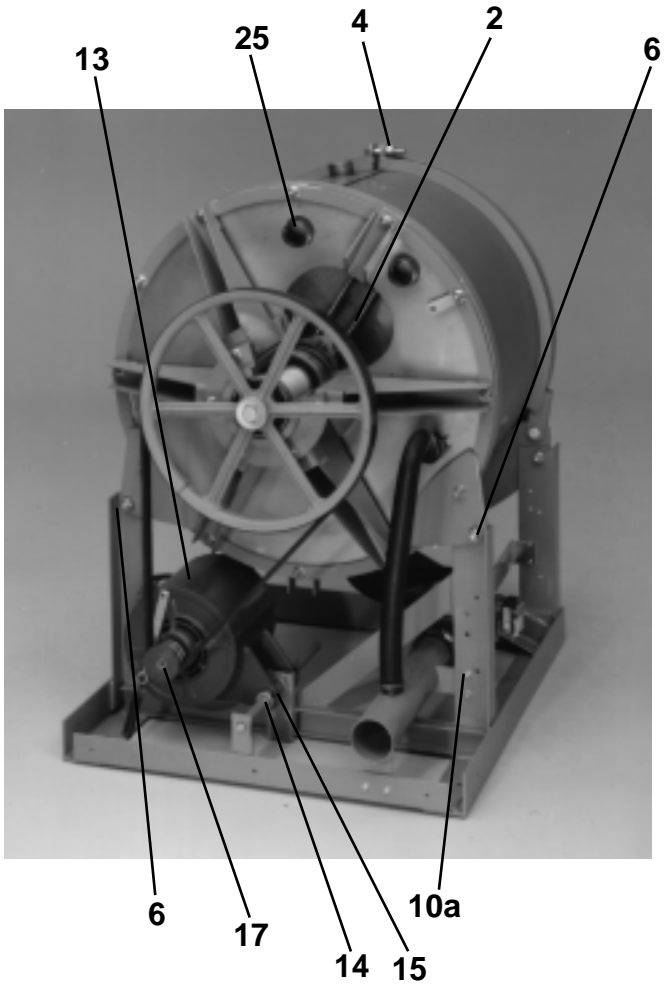
* Not Illustrated



Chassis and Drain Group

Key	Part Number	Description	MODELS	
			WCN25	
			A	A
1	9945-087-002	Base Assy, Frame	1	1
2	9930-137-001	Tub Assy	1	1
3	9950-051-002	Ring Assy, Tub Mtg-Front	1	1
4	9545-017-003	Bolt, Top Front Ring	1	1
4	8641-582-016	Lockwasher	1	1
4	8640-417-002	Nut.....	1	1
5	9950-041-002	Ring Assy, Tub Mtg-Rear	1	1
5a	9950-054-002	Ring Ass'y--Seal Tubback	1	1
6	9545-017-009	Screw, Front & Rear Rings to Base	4	4
6	8641-582-016	Lockwasher	4	4
6	8640-417-002	Nut.....	4	4
7	9379-187-001	Valve, Drain.....	1	1
8	9029-056-001	Bracket, Drain Valve	1	1
*	9545-048-001	Screw, Valve to Bracket	1	1
*	8641-581-018	Washer	1	1
9	9545-030-002	Screw, Bracket to Base.....	2	2
10	9915-119-002	Tube Assy, Drain	1	1
10a	9545-030-002	Screw, Tube Mtg	2	2
11	9242-456-001	Hose, Tub to Drain Valve	1	1
12	9242-457-001	Hose, Drain Valve to Tube	1	1
12a	8654-117-014	Clamp, Hose	4	4
13	9732-127-001	Motor, Drive (1 PH)	1	
13	9732-127-002	Motor, Drive (3 PH).....		1
14	9497-222-002	Rod, Motor Mtg	1	1
15	9076-052-002	Collar, Shaft	2	2
16	9545-029-005	Screw, Motor Mtg Rod	1	1
16	8641-582-014	Lockwasher	1	1
17	9453-168-004	Pulley, Motor	1	1
*	9545-028-015	Set Screw, Sq. Hd.....	2	2
18	9040-076-005	Belts, Drive	2	2
*	9552-038-003	Shim, Support Assembly	AR	AR
19	9242-461-001	Hose, Vacuum Brkr. to Tub	1	1
20	9610-001-001	Vacuum Breaker	1	1
21	9029-078-001	Bracket, Vacuum Breaker	1	1
22	9545-008-005	Screw	4	4
*	9081-104-001	Channel, Rear	1	1
*	9475-002-002	Flow Restrictors	2	2
23	9122-005-004	Dispenser	1	1
24	9206-416-001	Gasket, Dispenser	1	1
25	9242-450-002	Hose, Dispenser to Tub	1	1
26	8654-117-008	Clamp, Dispenser Hose	2	2
25	9242-463-002	Overflow Vent hose 11"	1	1

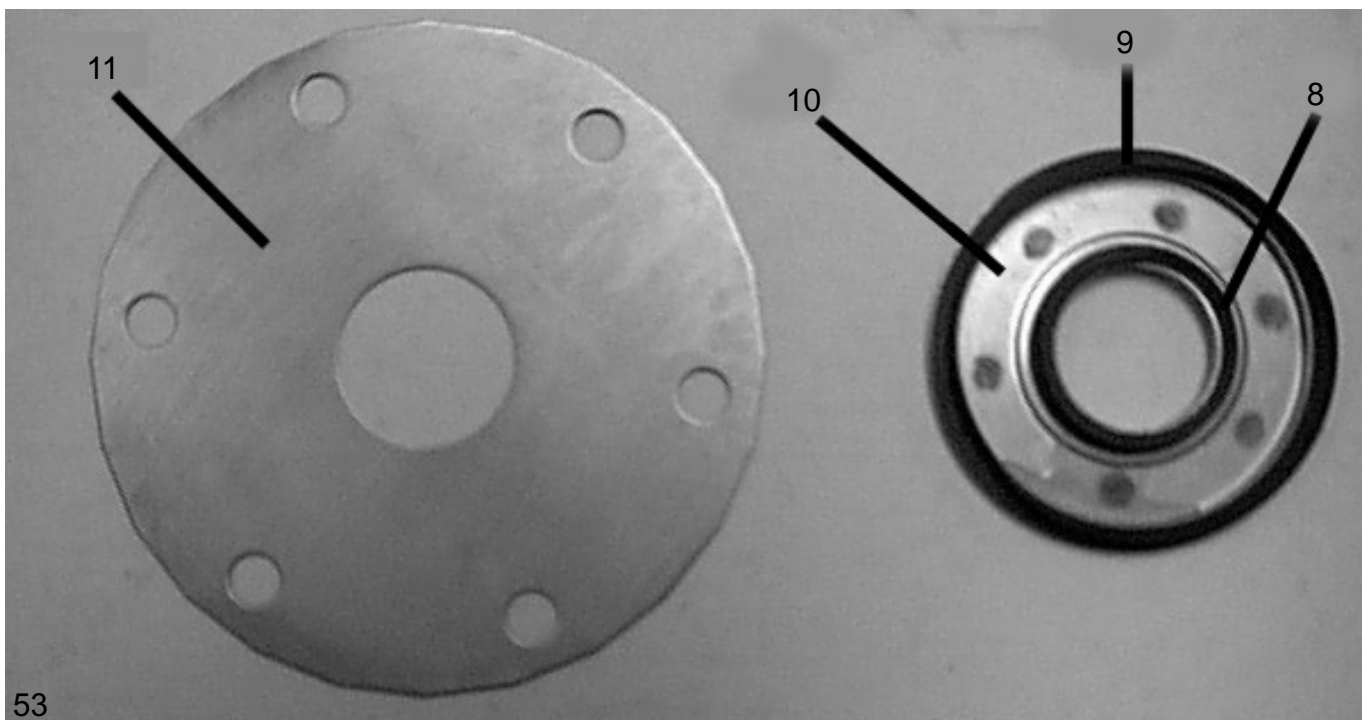
* Not Illustrated
51

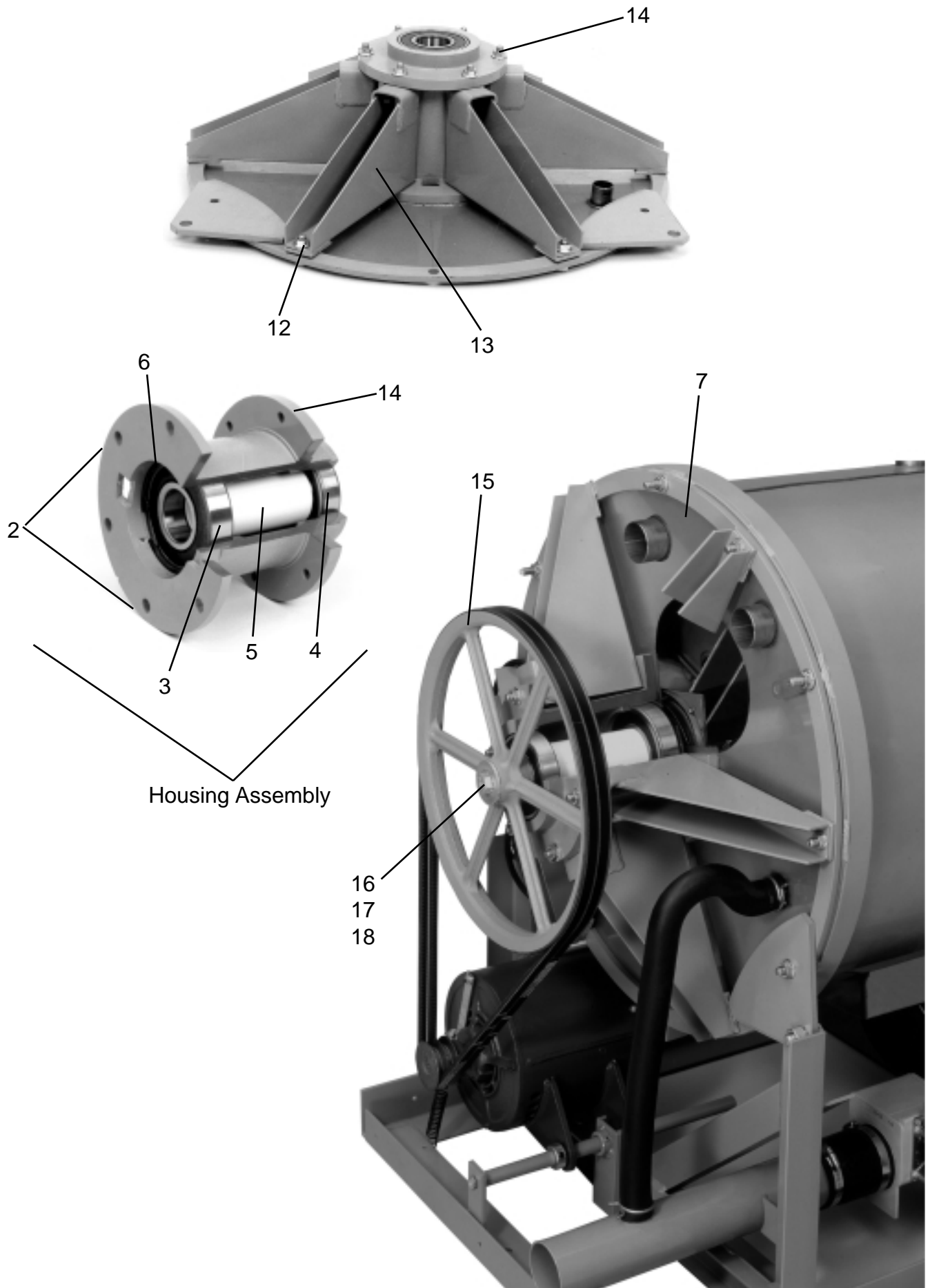


Cylinder, Water Seals & Bearing Housing group

Key	Part Number	Description	MODELS	
			WCN25	
			A	A
*	9803-179-002	Housing, Bearing- Assembly (includes items #2-#6)	1	1
2	9241-169-002	Housing, Bearing	1	1
3	9036-159-002	Bearing, Front	1	1
4	9036-159-001	Bearing, Rear	1	1
5	9538-158-001	Spacer, Bearing	1	1
6	9487-238-001	Ring, Bearing Retainer (internal type)	1	1
*	9848-109-001	Cylinder Asseby (complete)	1	1
7	9732-137-002	Back Assy, Tub	1	1
8	9532-140-006	Seal, Secondary	1	1
9	9532-140-009	Seal, Primary	1	1
10	9950-042-001	Ring, Seal Mtg	1	1
11	9487-261-002	Tub Back Mating Ring,(Between tub back and bearing housing)1	1	1
12	9545-017-009	Bolt, 1/2" Tub End of Bearing Housing (1/2" x 1 1/4")	6	6
12	8640-417-002	Nut.....	6	6
12	8641-582-016	Lockwasher 1/2" (ext. tooth).....	6	6
13	9991-048-002	Support Arm Assy., Bearing Housing.....	6	6
14	9545-029-003	Bolt Pulley End of Bearing Housing (3/8" x 1 1/2")	1	1
14	8640-415-004	Nut, Flange Locking 3/8"	1	1
*	9545-029-006	Bolt 3/8 x 1 1/2	2	2
15	9453-168-002	Pulley, Driven old style single belt (before # 425720)	1	1
15	9453-168-004	Pulley, Driven new style double belt (after # 425720)	1	1
*	9487-234-001	Ring, Tolerance	1	1
16	8641-581-026	Washer 1/2".....	1	1
17	9545-017-009	Bolt 1/2" x 1 1/4").....	1	1
18	8641-582-016	Lockwasher 1/2" Ext. tooth	1	1

* Not Illustrate

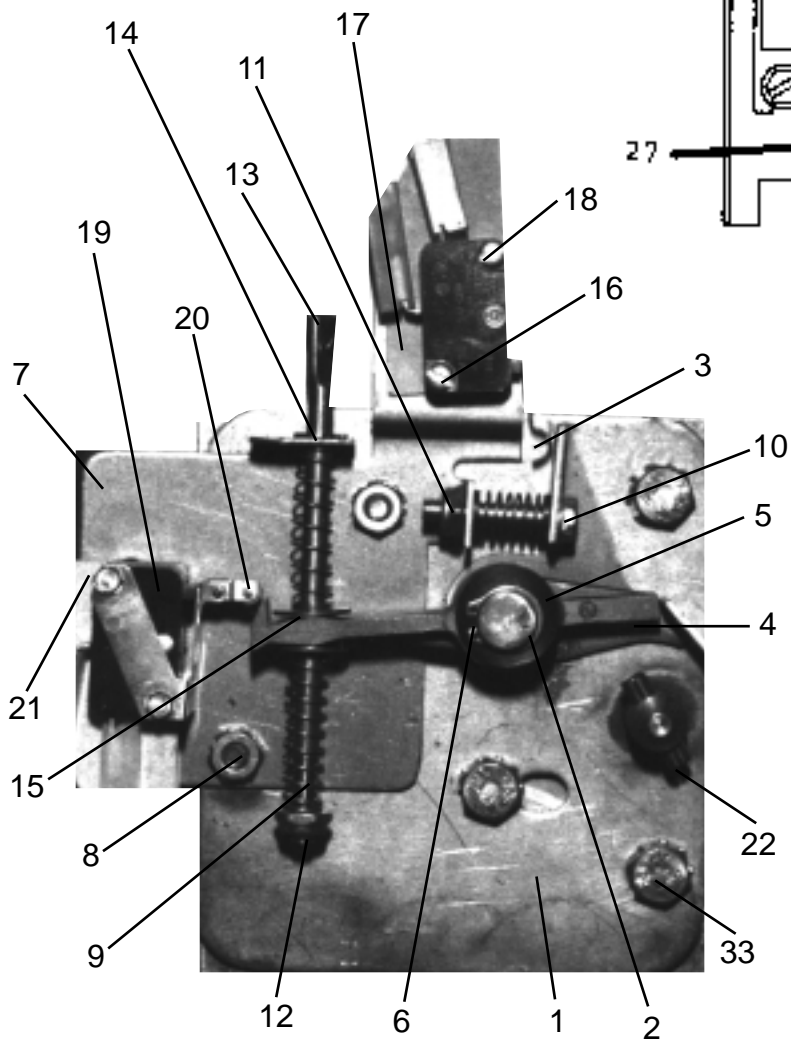
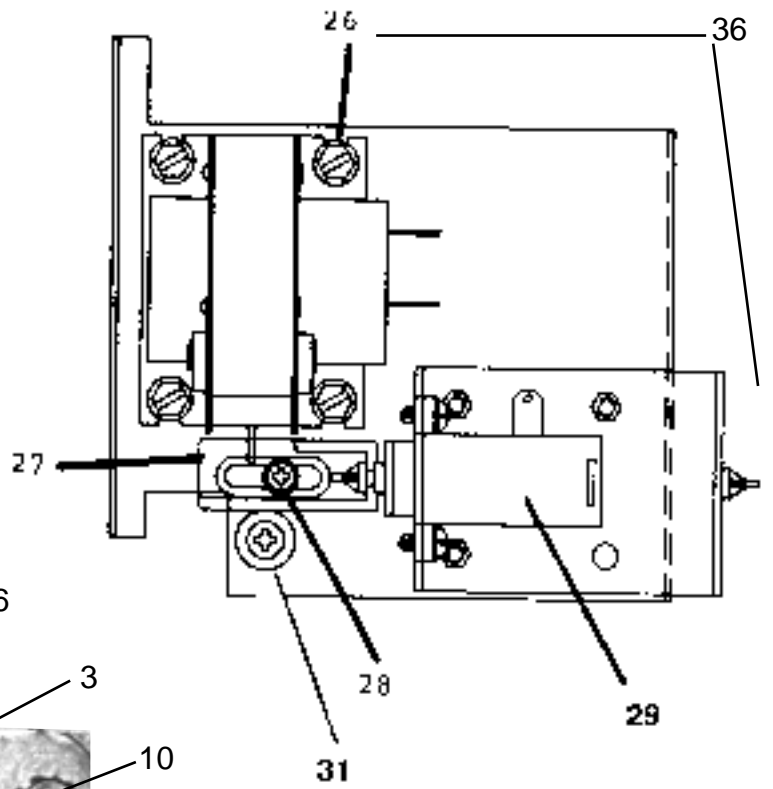
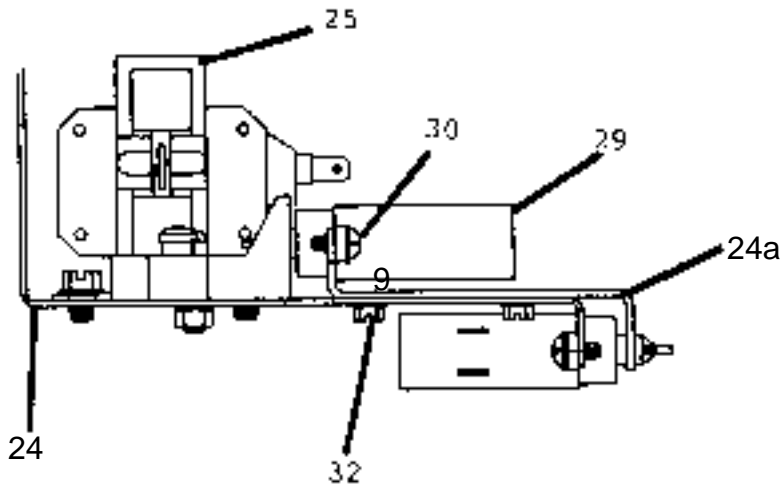




Door Lock Group

Key	Part Number	Description	MODELS	
			WCN25	
			A	A
*	9885-023-001	Lock Assy, Complete (includes #1 thru #23)	1	1
1	9982-284-001	Plate Assy, Door Lock	1	1
2	8641-581-030	Washer, Flat	1	1
3	9008-005-001	Actuator, Latching Switch	1	1
4	9450-002-002	Pawl, Locking	1	1
5	8641-569-003	Washer, Spring	1	1
6	9487-200-004	Ring, Retaining	1	1
7	9029-035-001	Bracket, Switch	1	1
8	8640-413-002	Nut, Hex	2	2
9	9534-364-002	Spring, Actuating	1	1
10	9545-012-020	Screw, Hx.	1	1
11	8640-413-004	Nut, Elastic Stop	2	2
12	9534-364-001	Spring, Return	2	2
13	9451-193-001	Pin, Guide	1	1
14	9487-200-005	Ring, Retaining	1	1
15	8641-581-031	Washer	2	2
16	9539-461-008	Switch, Latching Sensing	1	1
17	9550-169-003	Shield, Switch	3	3
18	9545-020-001	Screw	2	2
18	8640-401-001	Nut, Twin	2	2
19	9539-461-007	Switch, Locking Sensing	2	2
20	9008-006-002	Actuator, Switch	2	2
21	9545-020-003	Screw	2	2
21	8640-401-001	Nut, Twin	1	1
22	9451-181-004	Pin , Dowel	1	1
*	9552-037-001	Shim, Door Lock, Thin	AR	AR
*	9552-037-002	Shim, Door Lock, Thick	AR	AR
*	9545-018-004	Screw, Lock mtg	3	3
*	8641-582-007	Lockwasher	3	3
36	9922-011-001	Solenoid Assembly, Door Locking (includes 24 thru 32)		
24	9029-073-002	Bracket, Solenoid	1	1
25a	9536-074-001	Solenoid	1	1
26	9545-008-001	Screw, Solenoid Mtg	4	4
24a	9029-074-001	Bracket, (Assy solonoid slide).....	1	1
27	9540-033-001	Stop, Door Lock Solenoid	1	1
28	9545-061-001	Screw, Shoulder	1	1
29	9586-001-001	Thermoactuator.....	1	1
30	9545-031-004	Screw	2	2
31	9538-157-004	Spacer, Plastic	1	1
31	9538-166-004	Spacer, Metal	1	1
31	9545-010-001	Screw, Cross Recessed	1	1
31	8640-412-005	Nut, Keps #8	1	1
*	8640-411-003	Nut, Keps #6	1	1
32	9545-044-003	Scres #6 (for mounting sol. brkt.)	3	3
*	8640-413-002	Nut, Sol. Brkt. to Control Panel.....	3	3
*	9497-225-006	Rod, Pull	1	1
33	9545-018-014	Bolts for mounting assembly to tub front	3	3

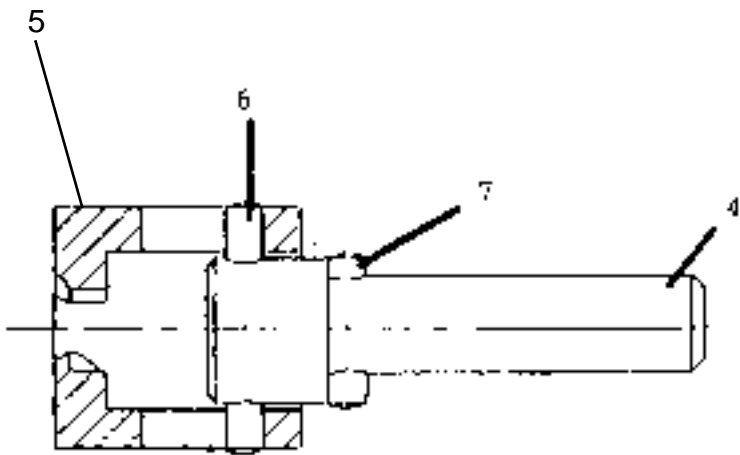
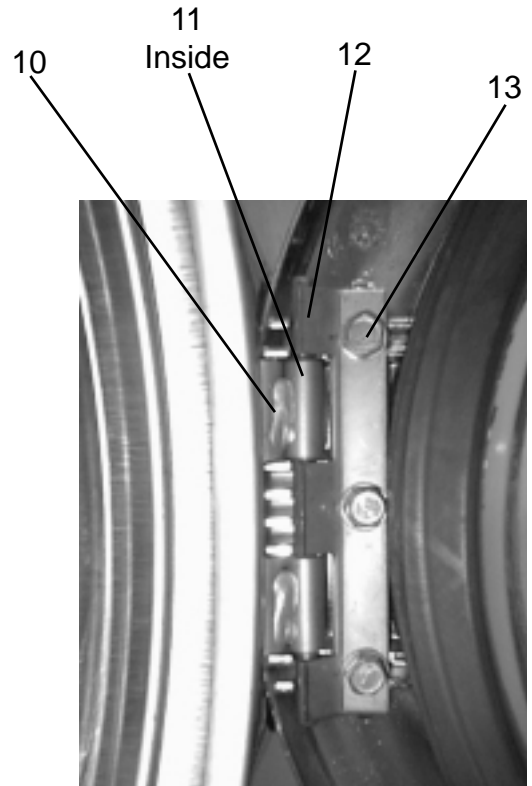
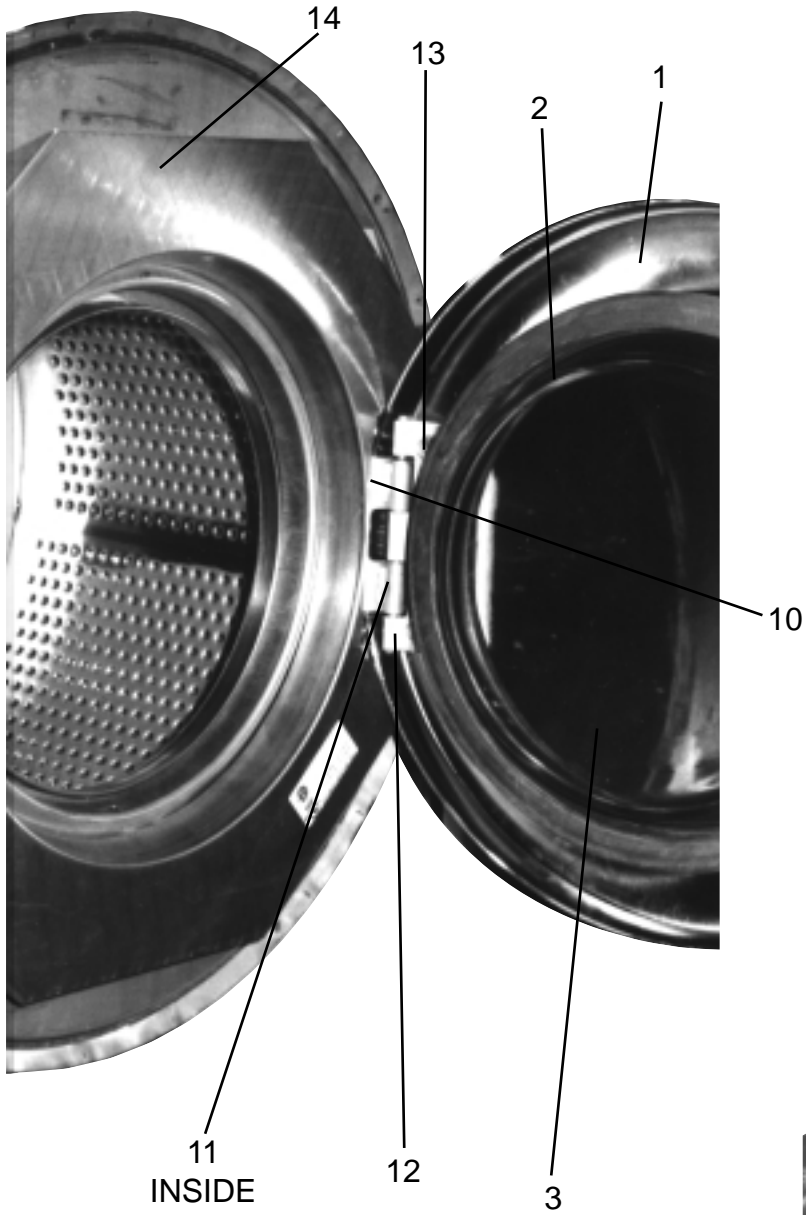
* Not Illustrated



T-400 Loading Door Group

Key	Part Number	Description	MODELS	
			WCN25	
			A	A
			A	B
*	9960-259-002	Loading Door, Complete (includes #1 thru #10).....	1	1
1	9487-230-001	Loading Door, Ring	1	1
2	9206-419-001	Gasket, Loading Door.....	1	1
3	9635-016-001	Window, Loading Door	1	1
*	9913-134-003	Shaft Assy, Locking (includes #5 thru #8)	1	1
4	9537-195-002	Shaft, Door Locking	1	1
5	9095-040-001	Cam, Locking	1	1
6	9451-181-005	Pin, Groove (1 1/4)	1	1
7	9451-181-004	Pin, Groove (3/4)	1	1
8	9534-360-002	Spring, Lock Cam	1	1
9	9244-080-003	Handle, Door.....	1	1
*	9451-181-006	Pin, Door Handle (groove)	1	1
10	9955-028-003	Hinge Assy, Loading Door	1	1
*	9545-014-009	Screw, Hinge Mtg	3	3
*	8641-582-009	Lockwasher.....	3	3
*	9552-036-001	Shim, Loading Door Hinge, Thin	AR	AR
*	9552-036-002	Shim, Loading Door Hinge, Thick.....	AR	AR
11	9451-184-003	Pin, Loading Door Hinge	1	1
*	8649-031-000	Ring, Retaining	1	1
12	9079-122-001	Clamp, Loading Door Hinge Pin	1	1
13	9545-056-001	Screw, Loading Door Mtg	3	3
14	9487-254-001	Ring, Masking	1	1
*	8640-413-002	Nut	4	4
*	9059-063-001	Band Edge	1	1

* Not Illustrated



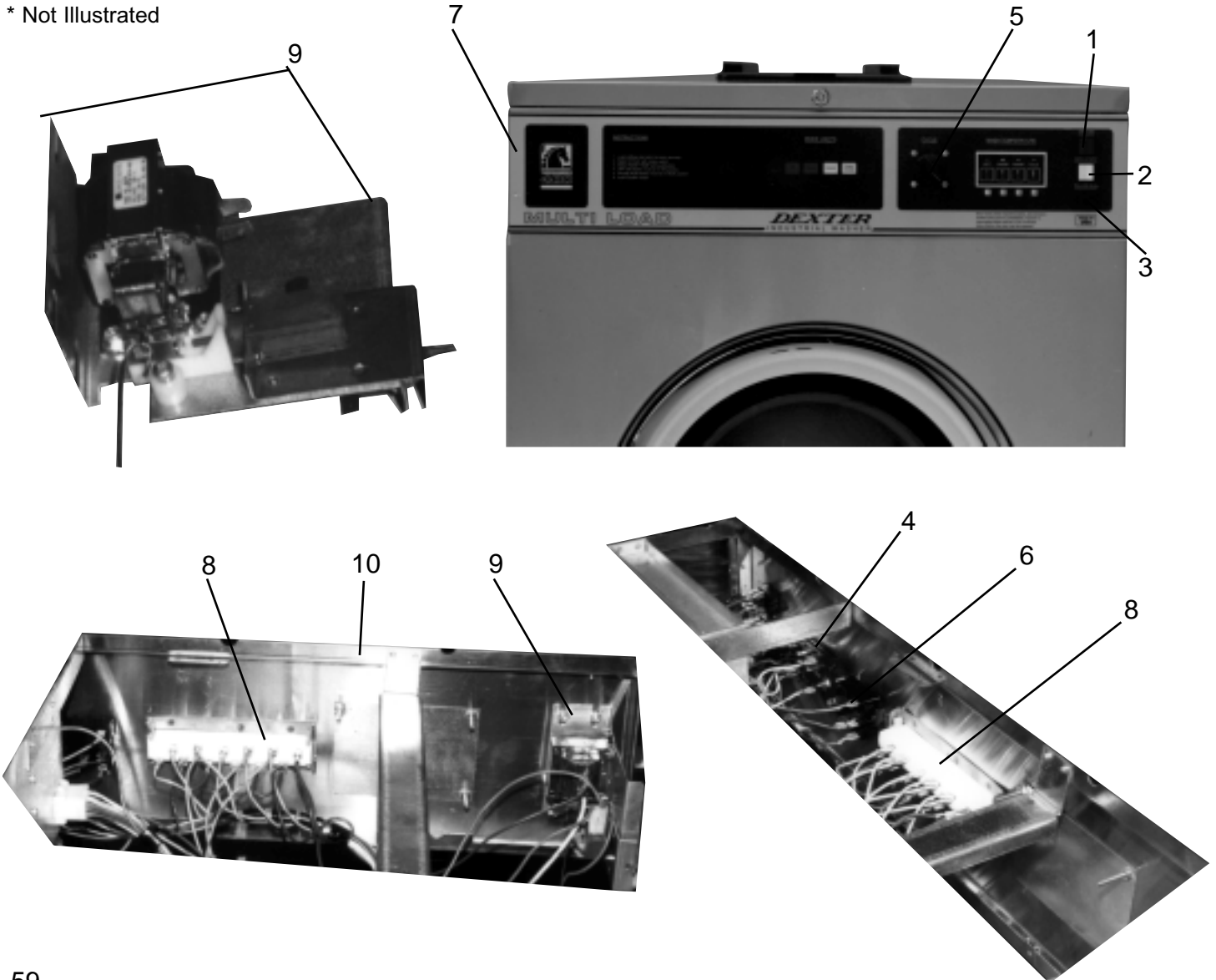
Control Panel Group

MODELS
WCN25

A A
A B

Key	Part Number	Description	A	B
1	9539-474-004	Switch, Red--OFF/ON.....	1	1
2	9539-474-005	Switch, White--ADVANCE/START	1	1
3	9539-474-006	Switch, Blue--PAUSE/RUN	1	1
4	9539-471-001	Switch, Rotary Selector	1	1
6	9539-479-005	Switch, Push-button (cycle selector)	1	1
5	9307-176-001	Knob, Control	1	1
*	9545-044-004	Screw, 6-32 x 1/4".....	1	1
7	9412-095-002	Nameplate MULTILOAD	1	1
*	9538-165-001	Spacer.....	2	2
*	8640-412-003	Nut, Switch mounting	2	2
8	3310-041-001	Light, Cycle Control	1	1
8	9206-100-001	Gasket, Light.....	2	2
9	9922-011-001	Solenoid Assy (see door lock group)		
10	9989-458-001	Panel Assembly --Control	1	1

* Not Illustrated



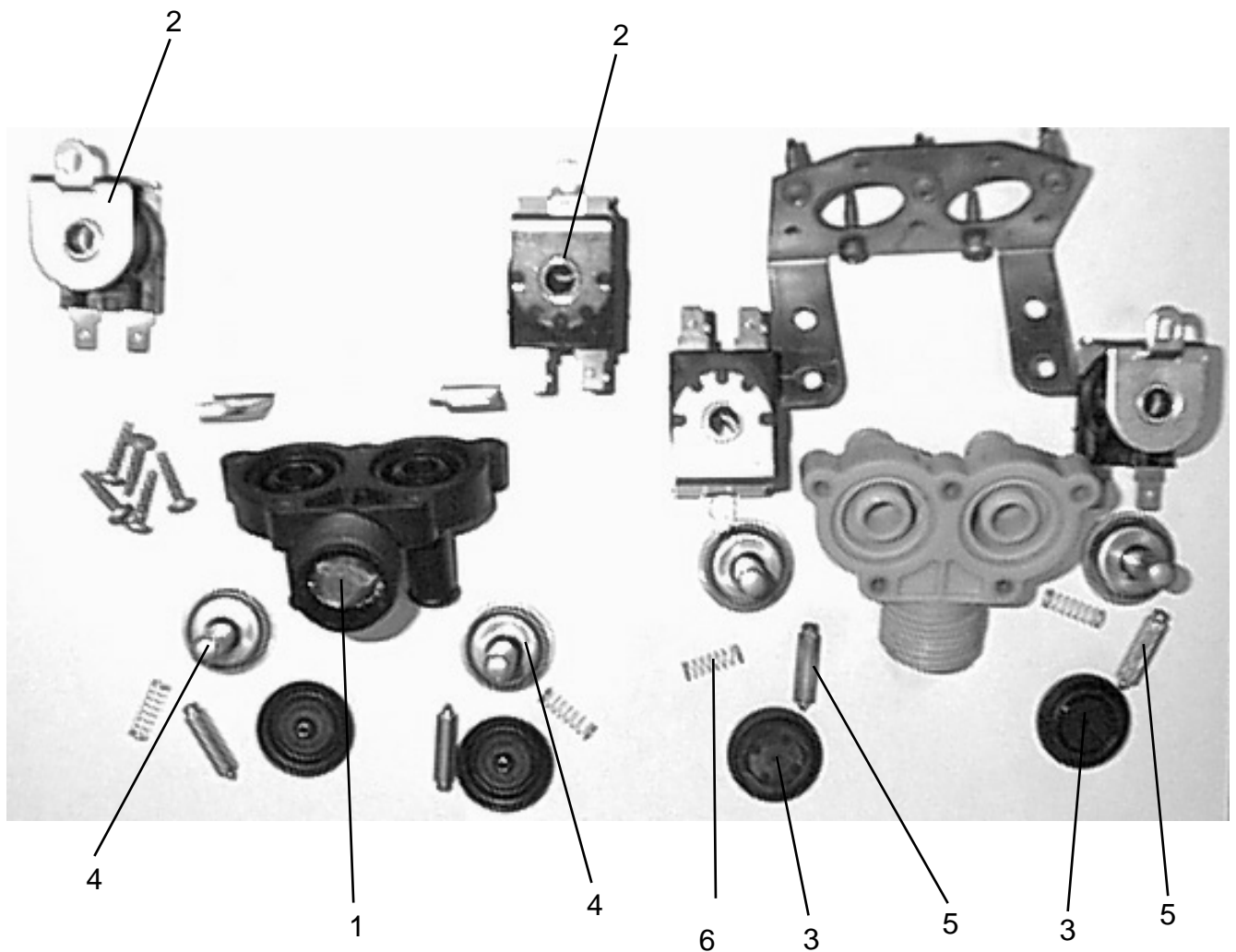
Water Inlet Valve Breakdown

MODELS
WCN25

A **A**
A **B**

Key	Part Number	Description	A	A	B
*	9379-183-003	Valve, Water Inlet Blue (includes #1 thru #6)	1		1
*	9379-183-004	Valve, Water Inlet Black (includes #1 thru #6)	1		1
1	9555-056-001	Screen, Inlet	2		2
2	9089-017-001	Coil Assy., 120 V	2		2
3	9118-049-001	Diaphragm	2		2
*	9118-049-002	Diaphragm (chemical resistant)	optional		
4	9211-021-002	Guide, Solenoid	2		2
5	9015-008-001	Armature	2		2
6	9534-298-001	Spring, Armature	2		2
*	9545-008-026	Screw, Valve Mtg	2		2

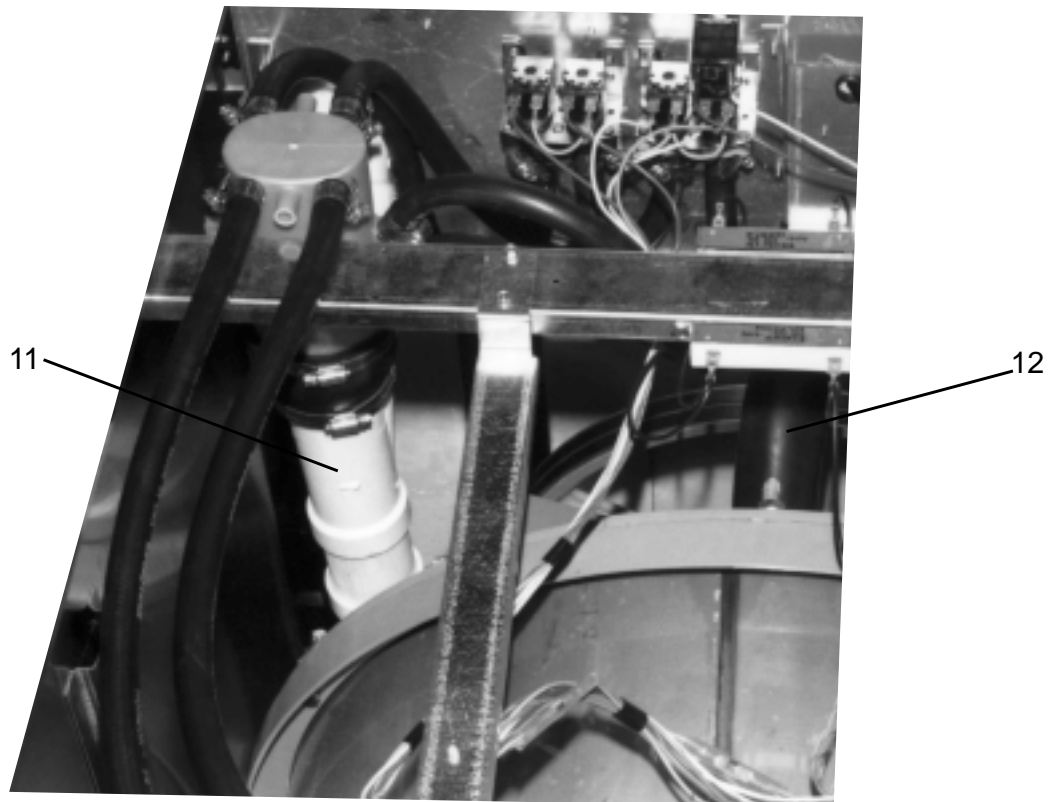
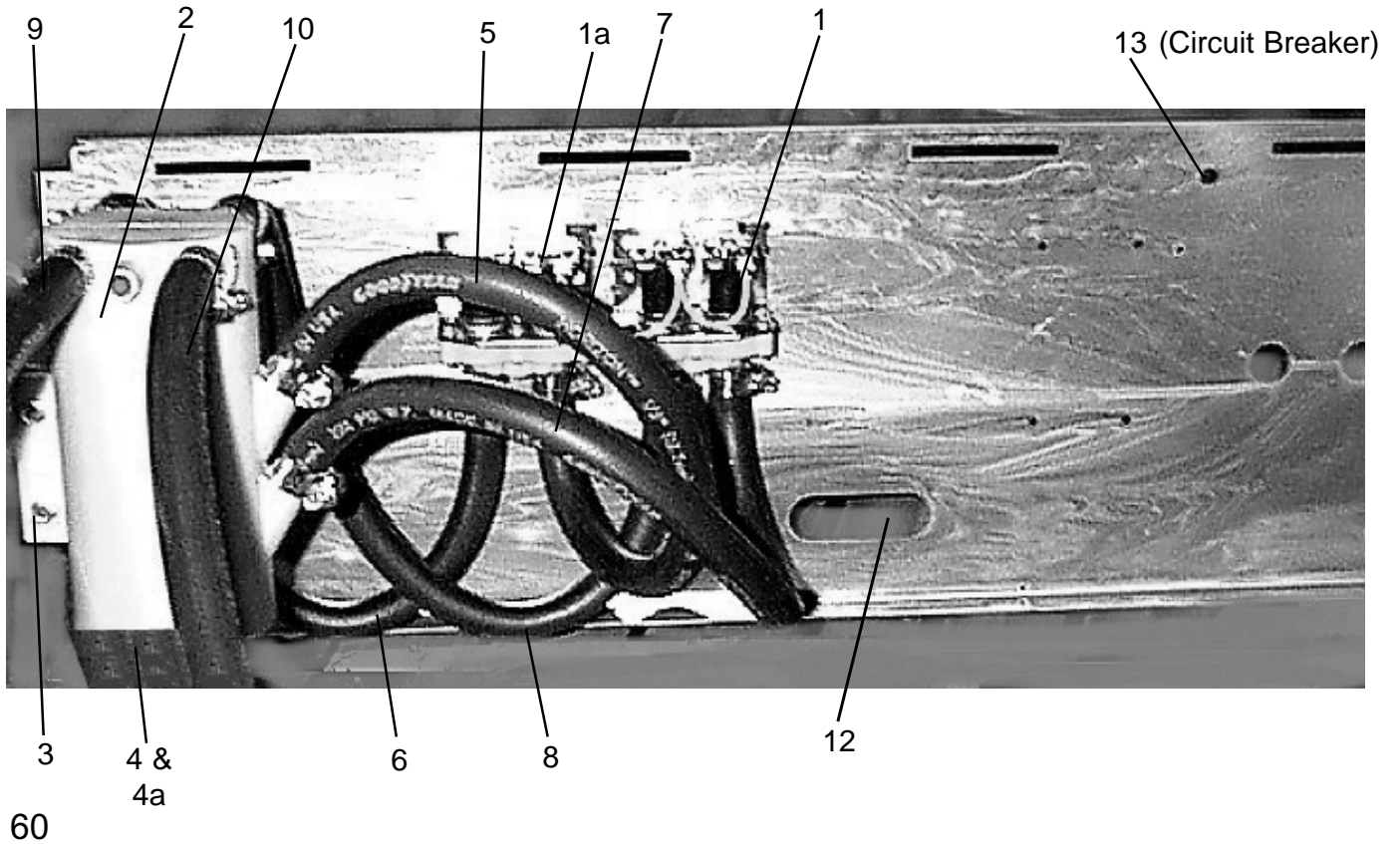
* Not Illustrated



Water Inlet Group

Key	Part Number	Description	MODELS	
			WCN25	
			A	A
			A	B
1	9379-183-003	Valve, Water Inlet[blue]	1	1
1a	9379-183-004	Vavle, Water Inlet [black]	1	1
*	9475-002-002	Flow Restrictors	2	2
*	9545-008-026	Screw, Valve Mtg	4	4
*	8640-399-009	Nut, Spring	4	4
2	9610-001-001	Vacuum Breaker	1	1
3	9029-078-001	Bracket, Vacuum Breaker	1	1
*	9545-008-026	Screw	4	4
4	9242-461-001	Hose, Vacuum Breaker to Injector	1	1
4a	8654-117-008	Clamp, Vacuum Breaker End	1	1
*	8654-117-008	Clamp, Tub End	1	1
5	9242-453-020	Hose, Hot Valve to Vac. Brkr 18"	1	1
6	9242-453-020	Hose, Hot Valve to Vac. Brkr 18"	1	1
7	9242-453-020	Hose, Cold Valve to Vac. Brkr 18"	1	1
8	9242-453-020	Hose, Cold Valve to Vac. Brkr 18"	1	1
9	9242-453-016	Hose, Vac. Brkr. to Rinse Disp 14 1/2"	1	1
10	9242-453-017	Hose, Vac. Brkr. to Wash Disp 18 1/4"	1	1
*	8654-117-009	Clamp, Hose	2	2
*	8654-117-015	Clamp, Hose	13	13
11	9883-006-001	Injector Ass'y P V C	1	1
12	9242-463-002	Hose, Overflow	1	1
*	9242-462-001	Injector To Tub Hose	1	1

* Not Illustrated

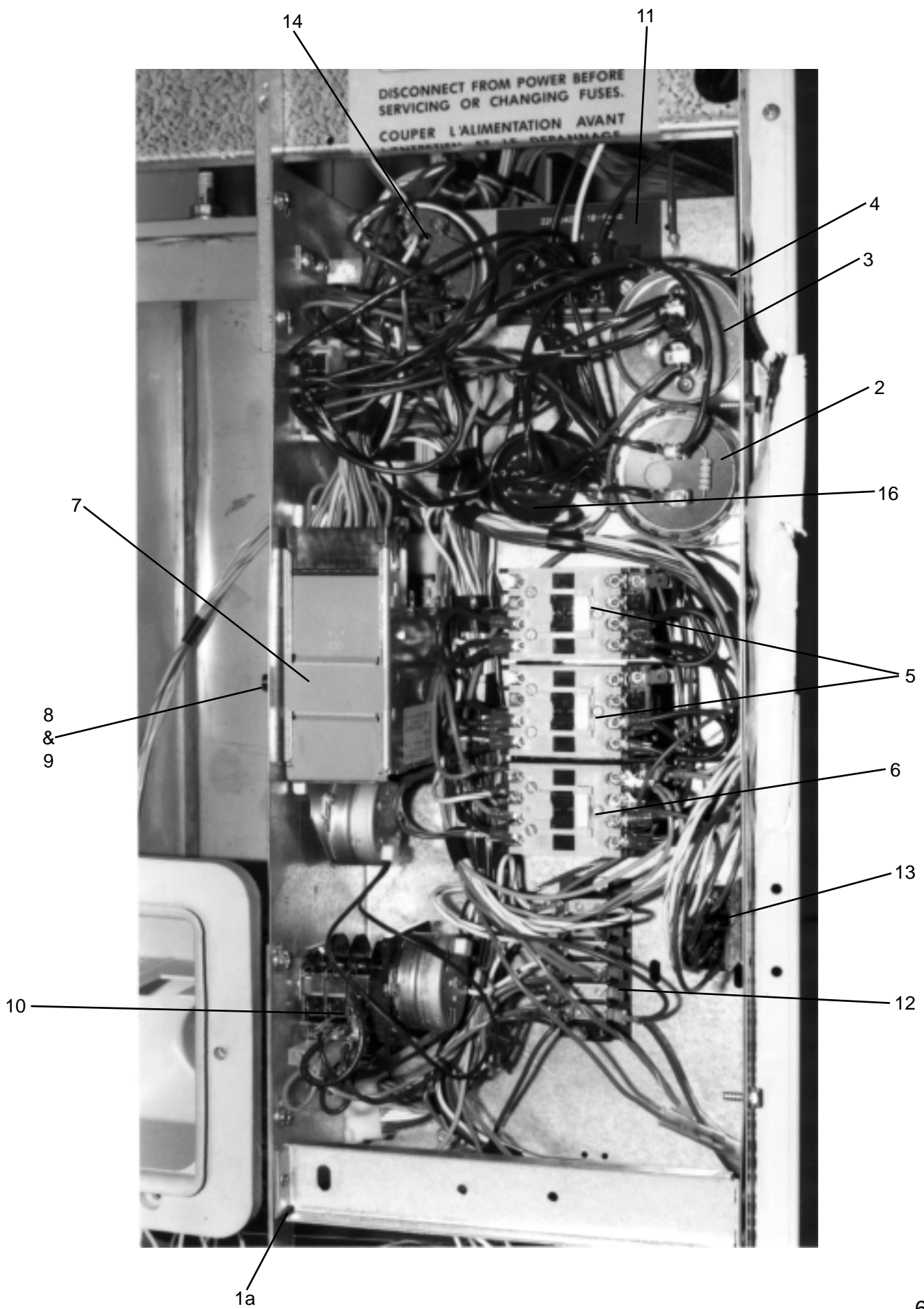


Electrical Components - Top Compartment

Single Phase Only

MODELS
WCN25
A A
A B

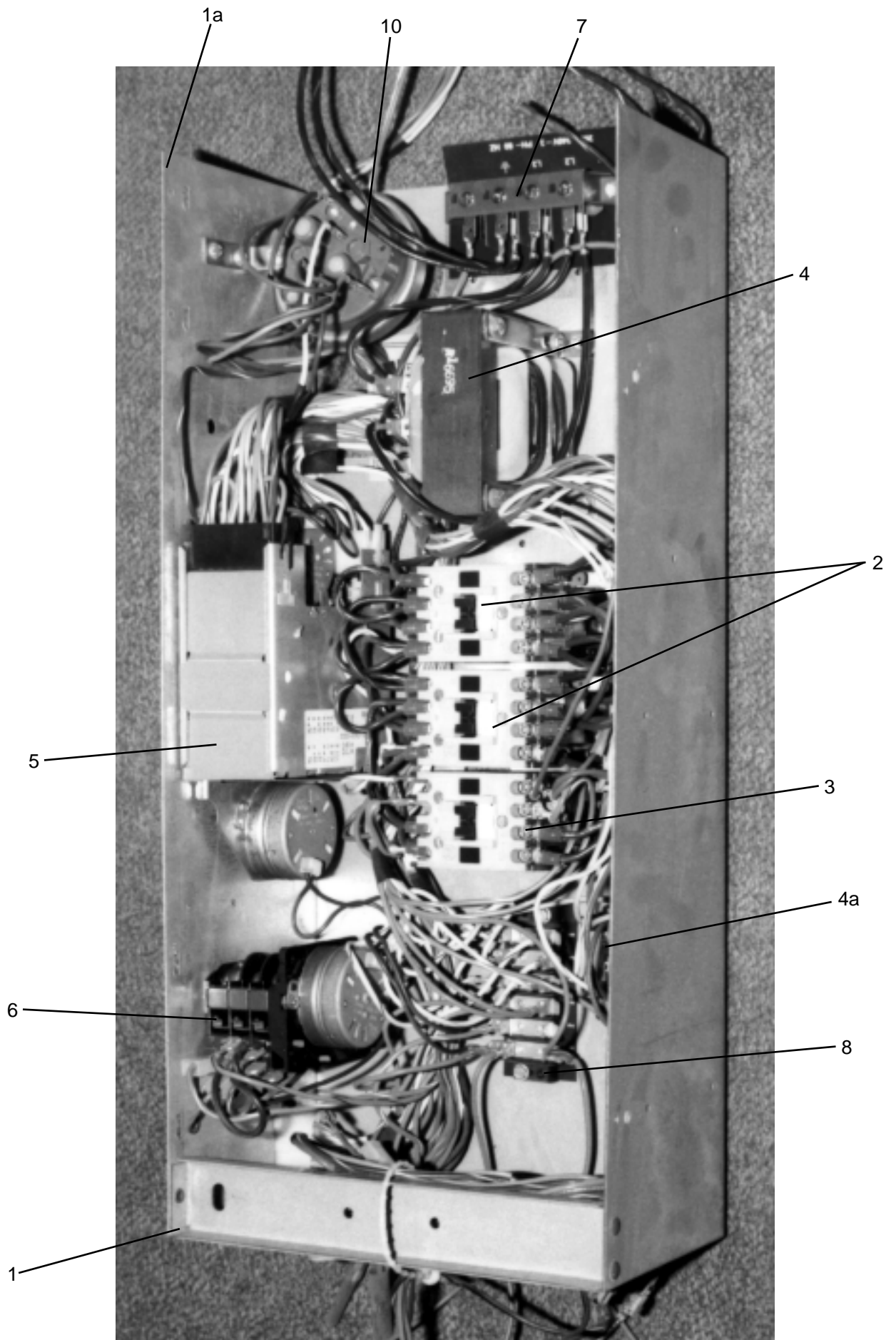
Key	Part Number	Description	
1	9839-012-003	Trough Assy, Controls Mtg	1
*	9545-008-005	Screw, Trough Sides.....	2
*	9029-064-001	Bracket, Trough to Rear Channel.....	1
*	9545-008-001	Screw, Trough Bracket	3
1a	9029-061-001	Front Trough Bracket (control panel to front).....	1
2	5191-102-005	Capacitor, Spin-Start (Century) (plastic).....	1
3	5191-103-010	Capacitor, Run-Tumble (Century) (metal)	1
4	9544-049-002	Strap, Capacitor Mtg (Century)	1
*	9545-045-001	Screw, Capacitor Strap.....	2
5	5192-286-007	Relay, RUN	2
6	5192-286-008	Relay, Spin	1
7	9571-361-004	Timer, Program	1
(VERIFY PART NUMBER ON TIMER BODY)			
*	9376-295-004	Motor, Timer Main Drive	1
*	9376-286-004	Motor, Timer Rapid Advance	1
*	9545-012-001	Screw, Timer Mtg	2
8	9107-067-001	Dial, Timer	1
9	9307-176-001	Knob, Timer (w/set screws)	1
10	9571-360-001	Timer, Reversing.....	1
*	9545-044-004	Screw, Reversing Timer	2
11	9897-033-002	Terminal Block, Power Connection.....	1
*	9545-045-007	Screw, Mtg	2
*	8502-619-003	Label, Fusing	1
12	9897-034-001	Terminal Block Assy,.....	1
*	9545-045-007	Screw, Mtg	2
*	9558-022-001	Strip, Terminal Marker	1
13	5192-285-001	Relays.....	2
14	9539-489-001	Switch, Pressure.....	1
*	9545-045-001	Screw, Mtg	2
*	5198-211-004	Circuit Breaker, 1.5 amp.....	1
*	8652-130-037	Lug, Grounding.....	1
*	8639-621-007	Screw, Mtg	1
*	8641-582-006	Lockwasher.....	1
16	9539-478-002	Solid State Start Switch	1
*	9029-062-001	Strap, Mtg	1
*	9545-010-001	Screw	1
	8640-412-005	Nut	1
	9545-031-003	Screw	1



Electrical Components - Top Compartment Three Phase Only

			MODELS WCN25	
			A	A
			A	B
Key	Part Number	Description		
1	9839-012-003	Trough Assy, Controls Mtg		1
*	9545-008-026	Screw, Trough Sides.....		2
1a	9029-064-001	Bracket, Trough to Rear Channel.....		1
1b	9029-061-001	Bracket, Trough to Front Channel		1
*	9545-008-026	Screw, Trough Bracket		3
2	5192-286-007	Relay, Tumble		2
3	5192-286-009	Relay, Spin		1
4	8711-004-001	Transformer, Control.....		1
*	9545-008-026	Screw, Mtg		1
*	8641-582-006	Lockwasher.....		1
4a	5192-285-001	Relay,small clear.....		1
*	8653-074-001	Connector		
5	9571-361-004	Timer, Program		1
(VERIFY PART NUMBER ON TIMER BODY)				
*	9376-295-004	Motor, Timer Main Drive		1
*	9376-286-004	Motor, Timer Rapid Advance		1
*	9545-012-001	Screw, Timer Mtg		2
*	9107-067-002	Dial, Timer.....		1
*	9307-176-001	Knob, Timer (w/set screws)		1
6	9571-360-001	Timer, Reversing.....		1
*	9545-044-004	Screw, Reversing Timer		2
7	9897-035-002	Terminal Block, Power Connection.....		1
*	9545-045-007	Screw, Mtg		2
*	8502-619-004	Label, Fusing		1
8	9897-034-001	Terminal Block Assy, 12 Lug.....		1
*	9545-045-007	Screw, Mtg		2
*	9558-022-001	Strip, Terminal Marker		1
10	9539-489-001	Switch, Pressure.....		1
*	9545-045-001	Screw, Mtg		2
*	5198-211-004	Circuit Breaker, 1.5 amp.....		1
*	8652-130-037	Lug, Grounding.....		1
*	8639-621-007	Screw, Mtg		1
*	8641-582-006	Lockwasher.....		1

* Not Illustrated

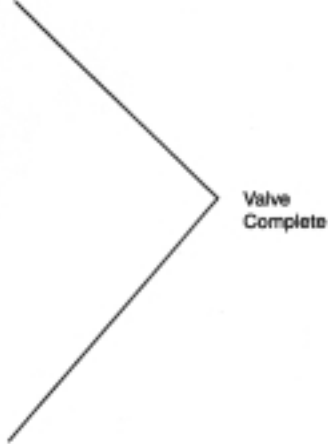
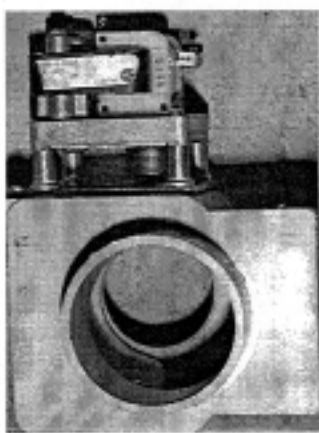
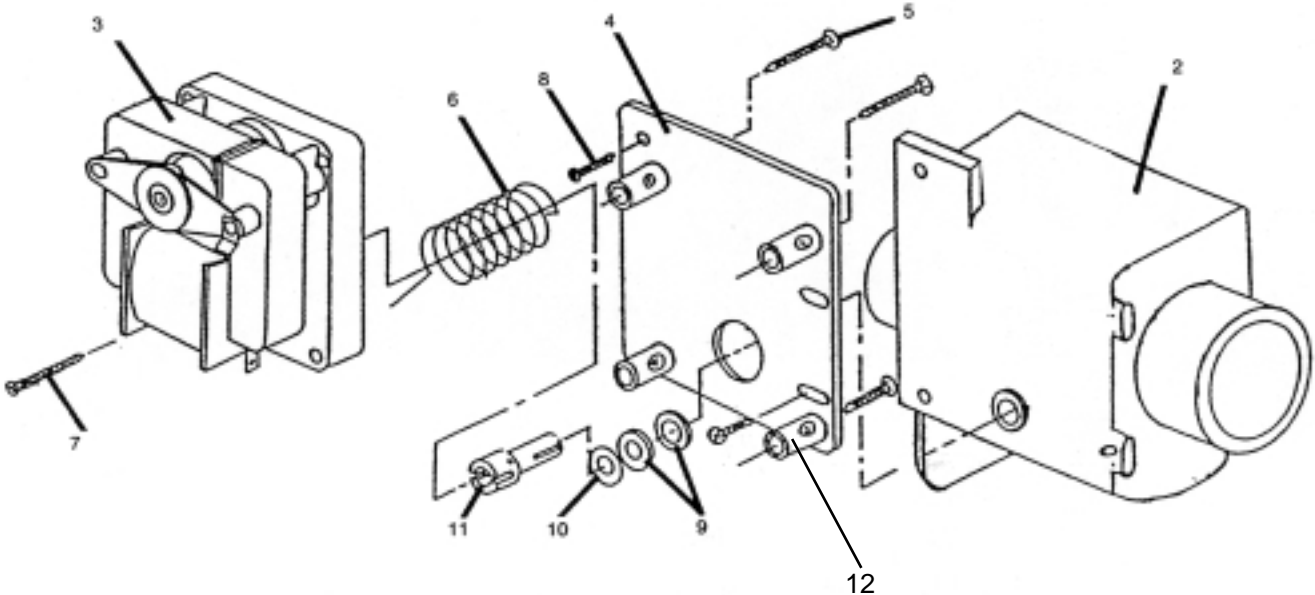


Drain Valve Group

MODELS
WCN25

A A
A B

Key	Part Number	Description	A	A	B
	9379-187-001	Valve, Drain (includes #2 thru #11)	1		1
2	9064-070-001	Body, Valve (w/ball)	1		1
3	9914-137-001	Motor & Gear Train	1		1
4	9452-538-001	Plate, Motor Mtg	1		1
5	8639-994-001	Screw	3		3
6	9534-339-001	Spring, Drive	1		1
7	9545-054-001	Screw	2		2
8	9545-054-002	Screw	1		1
9	9532-134-001	Seal, V Packer	2		2
10	8641-584-001	Washer	1		1
11	9451-196-001	Pin, Main Drive	1		1
12	9538-149-001	Spacer, Plate Motor Mtg	4		4



Valve
Complete

TERMINAL BLOCKS

Key	Part Number	Description	MODELS	
			WCN25	
			A	A
	9897-035-001	Terminal Block 4 pole 1 ph	1	
	9558-029-002	Strip Marker	1	
	9897-033-002	Terminal Block Power	1	1
	9558-025-001	Strip Marker	1	1
	9545-045-007	Screw	2	2
	9897-035-002	Terminal Block 4 Pole		1
	9558-029-001	Strip Marker		1
	9897-032-002	Terminal Block Injector	1	1
	9556-028-001	Strip Maker	1	1
	9545-053-002	Screw	1	1
	9857-034-001	Terminal Block Power	1	1
	9558-027-001	Strip Marker	1	1
	8652-134-001	Terminal Lug, Ground	1	1
	8639-621-007	Screw	1	1
	8641-582-006	Lockwasher.....	1	1
	8652-130-037	Terminal Grounding	1	1
	8639-621-007	Screw	1	1
	8641-582-006	Lockwasher.....	1	1

Labels

Key	Part Number	Description	MODELS	
			WCN25	
			A	A
	9345-783-002	Label Maintimer(chart)	1	1
	9345-794-002	Wiring Label-Schematic	1	1
	9345-796-004	Wiring Label-Diagram.....	1	
	8502-624-002	Label Warning Door Opening.....	1	1
	8502-614-004	Label High Voltage	1	1
	8502-647-001	Label Connections Injector.....	1	1
	8502-666-001	Label Injector Assembly	1	1
	8502-649-001	Label Connections Electrical	1	1
	8502-619-003	Label Fusing & Installation	1	1
	9345-795-003	Wiring Diagram 3 ph		1

Wiring Harness Group

Key	Part Number	Description	MODELS	
			WCN25	
			A	A
USE FOLLOWING TWO ITEMS WITH TIMER PART NUMBER 9571-359-002				
	9627-680-002	Wiring Harness, Main	1	1
	9627-681-003	Wiring Harness, Control	1	1
USE FOLLOWING TWO ITEMS WITH TIMER PART NUMBER 9571-361-002				
	9627-702-003	Wiring Harnss, Main	1	1
	9627-694-001	Wiring Harness, Control	1	1
	9627-691-001	Wiring Harness, Injector Control	1	1
	9627-683-001	Wiring Harness, Drain Valve.....	1	1
	8654-125-0012	Clamp, Cable- 1/4" Diameter	1	1



Section 7

Parts Data

Thoroughbred 600

Accessories

Models	WCN40AADX	220-240	volts 60hz. Single Phase
	WCN40ABDX	208-240	volts 60hz. Three Phase

Part Number	Description	MODELS	
		WCN40	
		A	A
		A	B
9990-027-013	Hose, Water Supply (furnished) 5/8" I D x 48"	2	2
8641-242-000	Washer, Inlet Hose (furnished)	2	2
9565-003-001	Strainer, Inlet Hose (furnished).....	2	2
9732-139-002	Kit, Door Gasket Expander (large)	1	1
9732-139-001	Kit, Door Gasket Expander (small).....	1	1
Grip-O-Matic #1045	Puller, Bearing Housing (available through Standard Bearing Company		
9990-027-013	Hose , Water supply 1/2" I.D. x 48" (optional)	2	2
9242-417-001	Drain Hose 10 ft length x 2-1/4" I.D. (optional)		
9242-417-003	Drain Hose 10 ft length x 3" I.D. (optional)		
8641-586-002	Bevel Washer for 5/8" bolt used in installations using angle iron bases		
8641-586-003	Bevel Washer for 3/4" bolt used in installations using angle iron bases		
9732-141-001	Manual Operation Kit		
9539-474-001	Switch, Blk/Red (included in kit)	1	1
9539-474-002	Switch, Blk/Wht (included in kit)	1	1
8545-051-003	T-10 Torx for removing coin acceptor mounting screws		
8545-055-002	Electrical Probe 100-600 VAC		
8545-055-001	Electrical Probe 24-90 VAC		
8538-151-001	Sealing Compound		

Cabinet and Front Panel Group

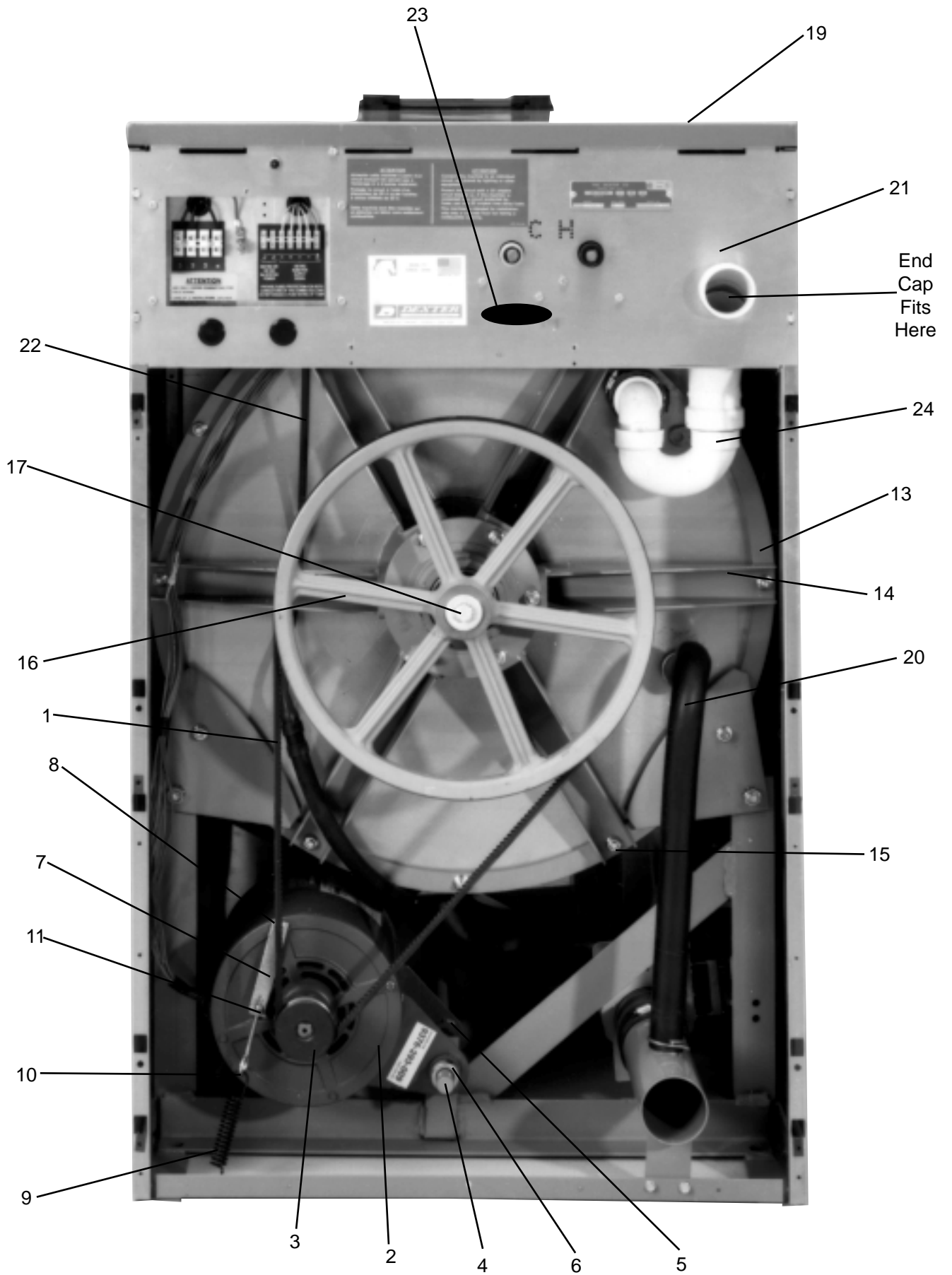
Key	Part Number	Description	MODELS	
			WCN40	
			A	A
			A	B
1	9989-449-001	Panel, Side (Left or Right)- Stainless	2	2
1a	9545-018-013	Screw, (Side Panel to Base).....	8	8
*	8640-414-006	Nut	8	8
*	9029-066-001	Bracket, Side Panel	1	1
*	8640-413-002	Nut, Hex #10.....	2	2
*	9545-008-026	Screw, #10	2	2
2	9454-669-003	Panel Assy, Front	1	1
2a	9059-063-002	Band, Edge Protector	1	1
*	8640-399-005	Nut, Spring- To Control Panel.....	2	2
*	9545-008-006	Screw, Hex- To Control Panel	2	2
3	9545-008-014	Screw, Flat Head	2	2
3	8641-585-001	Washer, Finish	2	2
3	8640-399-008	Nut, Spring	2	2
3	9545-008-023	Screw, Fillister Head Guide	2	2
4	8502-624-002	Label, Door Opening	1	1
5	9108-097-001	Door, Lower Service	1	1
6	9545-008-014	Screw, Flat Head	2	2
6	8641-585-001	Washer, Finish	2	2
6	8640-399-008	Nut, Spring	2	2
*	9545-008-023	Screw, Fillister Head Guide	2	2
7	9412-096-002	Nameplate, Control Panel, Maxi Load	1	1
8	9989-459-001	Control Panel (mounts nameplate).....	1	1
*	9545-008-026	Screw Control panel mounting	4	4
9	9454-664-001	Panel, Top.....	1	1
10	8650-012-003	Lock, Top (w/Key)	1	1
*	9306-025-001	Key, Top-#6324	1	1
*	9095-038-001	Cam, Lock Top	1	1
*	8640-426-001	Nut, 9/32	1	1
*	8641-581-008	Washer	1	1
*	9086-017-001	Catch, Top Panel	2	2
*	9467-024-001	Post, Top Locator	2	2
*	8640-411-003	Nut, Keps	2	2
*	9355-001-001	Locator, Panel.....	2	2
*	9545-008-025	Screw, #10	2	2
11	9244-081-002	Handle (bumper guard)	1	1
*	9545-045-010	Screw, handle mounting	4	4
12	9108-095-003	Door dispenser	1	1
*	9545-008-012	Screw, Dispenser mounting	4	4
*	8640-399-007	Nut, Keps	4	4
*	9545-045-002	Screw, Dispenser post mounting	4	4
13	9467-025-001	Post , door mounting	2	2
	9451-191-001	Pin, plain.....	2	2

* Not Illustrated



REAR VIEW

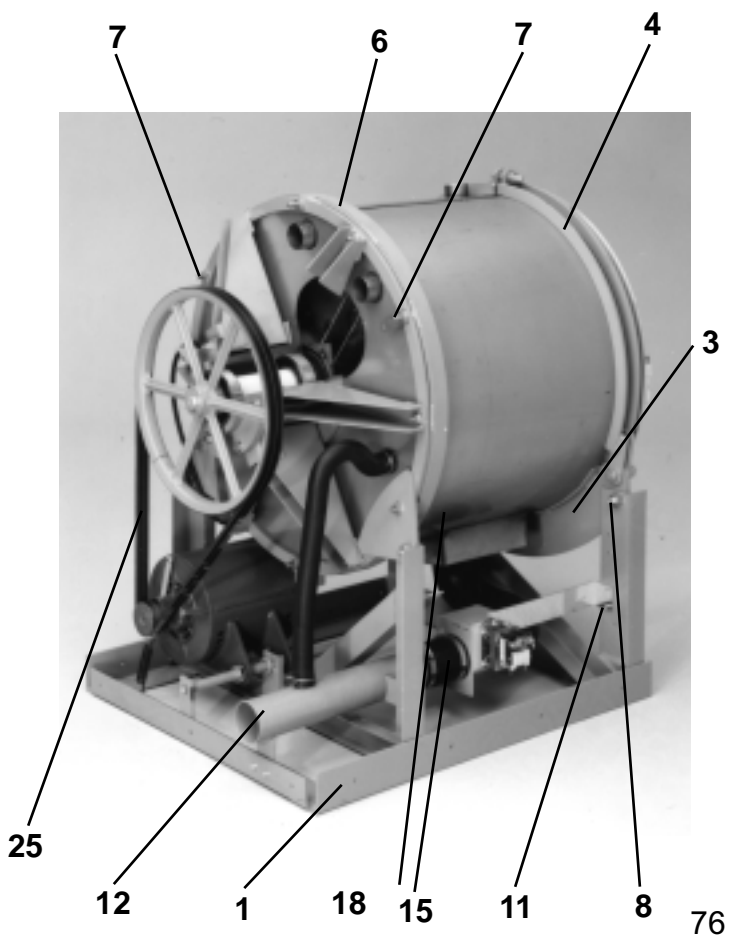
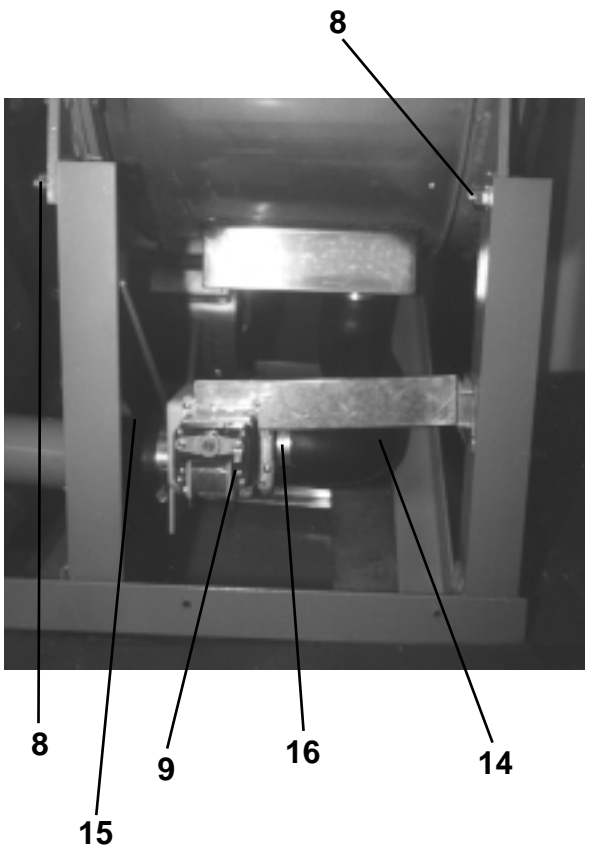
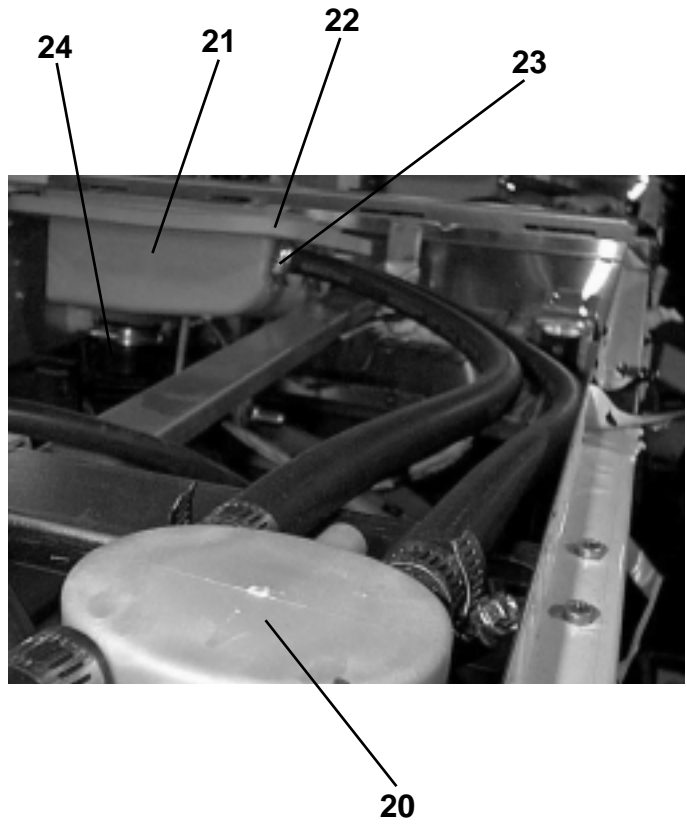
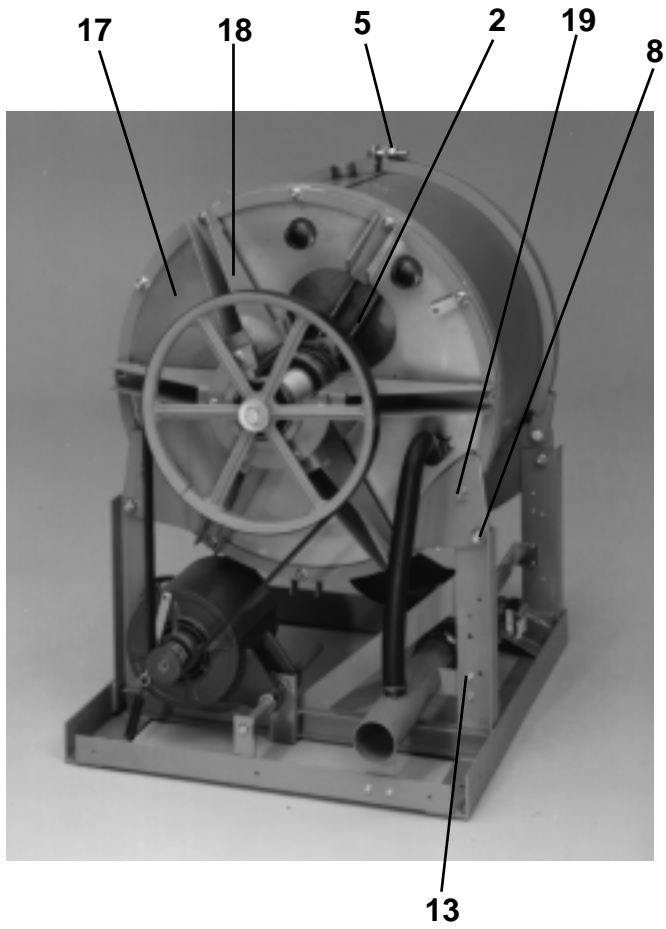
Key	Part Number	Description	MODELS	
			WCN40	
			A	A
			A	B
1	9040-076-005	Drive Belt	2	2
2	9732-127-005	Drive Motor, 1 Phase	1	
2	9732-127-006	Drive Motor, 3 Phase		1
3	9453-170-002	Pulley, Motor	1	1
*	9545-028-015	Screw, set	2	2
4	9497-222-004	Rod, Motor Mtg	1	1
5	9545-029-005	Screw	1	1
5	8641-582-014	Lockwasher	1	1
6	9076-052-002	Collar, Shaft (w/set screws)	3	3
*	9053-074-001	Nyon Bushing (For Magna-Tek Brand Motors)	2	2
7	9029-027-003	Strap, Motor tension	1	1
8	8640-413-002	Nut, Strap to Motor	1	1
8	8641-581-006	Washer	1	1
9	9534-319-002	Spring, Belt Tension	1	1
10	9545-055-001	Bolt, Eye	1	1
11	8640-414-003	Nut, 1/4-20 Elastic Stop	1	1
13	9950-041-004	Ring Assy., Tub Mtg.- Rear	1	1
14	9991-051-002	Support Assy., Bearing Hsg	6	6
15	9545-059-002	Screw, 2"- Tub Back to Tub	12	12
*	8640-416-005	Nut, Flange Lock	12	12
*	9552-038-003	Shim	AR	AR
16	9453-168-003	Pulley, Driven	1	1
17	9545-060-001	Screw, Pulley to Shaft	1	1
17	8641-581-032	Washer, Flat	2	2
17	8641-582-018	Lockwasher	1	1
21	9081-116-001	Channel, Rear	1	1
*	9545-008-026	Screw	4	4
*	8640-399-004	Nut, Spring	4	4
*	9454-655-001	Panel, Back Guard	1	1
19	9454-664-001	Panel, Top	1	1
20	9242-449-002	Hose, Overflow	1	1
*	8654-029-000	Clamp, Hose	2	2
*	9989-446-001	Panel Assy., Back	1	1
*	9545-008-026	Screw	10	10
*	8640-399-004	Nut, Spring	10	10
22	9242-175-002	Hose, Pressure Switch	1	1
*	8654-117-015	Clamp, Pressure Sw. Hose	1	1
23	9242-463-003	Overflow Vent Hose 12' 1/4"	1	1
24	9883-007-001	Injector Asseby PVC	1	1
*	0935-127-001	End Cap (For Chemical Injection Hose Insertion)	1	1



CHASIS AND DRAIN GROUP

Key	Part Number	Description	MODELS	
			WCN40	
			A	A
1	9945-097-002	Base Assy, Frame.....	1	1
2	9930-136-001	Tub Assy	1	1
3	9967-009-002	Cradle Assy, Tub.....	1	1
4	9950-050-002	Ring Assy, Tub Mtg-Front	2	2
5	9545-060-003	Screw, 5/8-3x 1	1	1
5	8640-425-011	Nut	1	1
5	8641-582-018	Lockwasher.....	1	1
6	9950-041-004	Ring Assy., Tub Mtg.- Rear.....	1	1
7	9545-060-002	Bolt, 5/8-11x1 1/2 Rings to Base (front & rear)	4	4
8	9545-060-001	Bolt, 5/8-11x2 1/2 Rings to Base (front ring to cradle)	2	2
*	8641-582-018	Lockwasher.....	4	4
*	8640-425-001	Nut, Hex	4	4
9	9379-187-001	Valve, Drain	1	1
11	9029-052-001	Bracket, Drain Valve	1	1
*	9545-048-001	Screw, Valve to Bracket	1	1
*	8641-581-018	Washer	1	1
*	9545-030-002	Screw, Bracket to Base	2	2
12	9915-118-002	Tube Assy, Drain.....	1	1
*	9545-030-002	Screw, Tube Mtg.....	2	2
14	9242-456-001	Hose, Tub to Drain Valve	1	1
15	9242-457-001	Hose, Drain Valve to Tube	1	1
16	8654-117-014	Clamp, Hose.....	4	4
17	9732-137-003	Back Assy Tub	1	
18	9991-051-002	Support Arm Assembly	6	6
*	9497-222-004	Rod, Motor Mtg.....	1	1
*	9076-052-002	Collar, Shaft	2	2
*	9545-029-005	Screw, Motor Mtg Rod	1	1
*	8641-582-014	Lockwasher.....	1	1
19	9545-059-002	Bolt 7/16" x 2" Tub Back to Tub	12	12
*	9453-170-002	Pulley, Motor	1	1
*	9545-028-015	Set Screw, Square Head	2	2
*	8640-416-005	Nut, Flange Lock	12	12
25	9040-076-005	Belt, Drive	2	2
20	9610-001-001	Vaccum Breaker	1	1
*	9552-038-001	Shim, Support Assembly	AR	AR
*	9081-116-001	Channel, Rear	1	1
*	0935-127-001	End Cap for liquid chemical injections	1	1
21	9732-105-004	Dispenser,	1	1
22	9206-416-001	Gasket, Dispenser	1	1
24	9242-450-001	Hose, Dispenser to Tub	1	1
23	8654-117-008	Clamp, Dispenser Hose	2	2

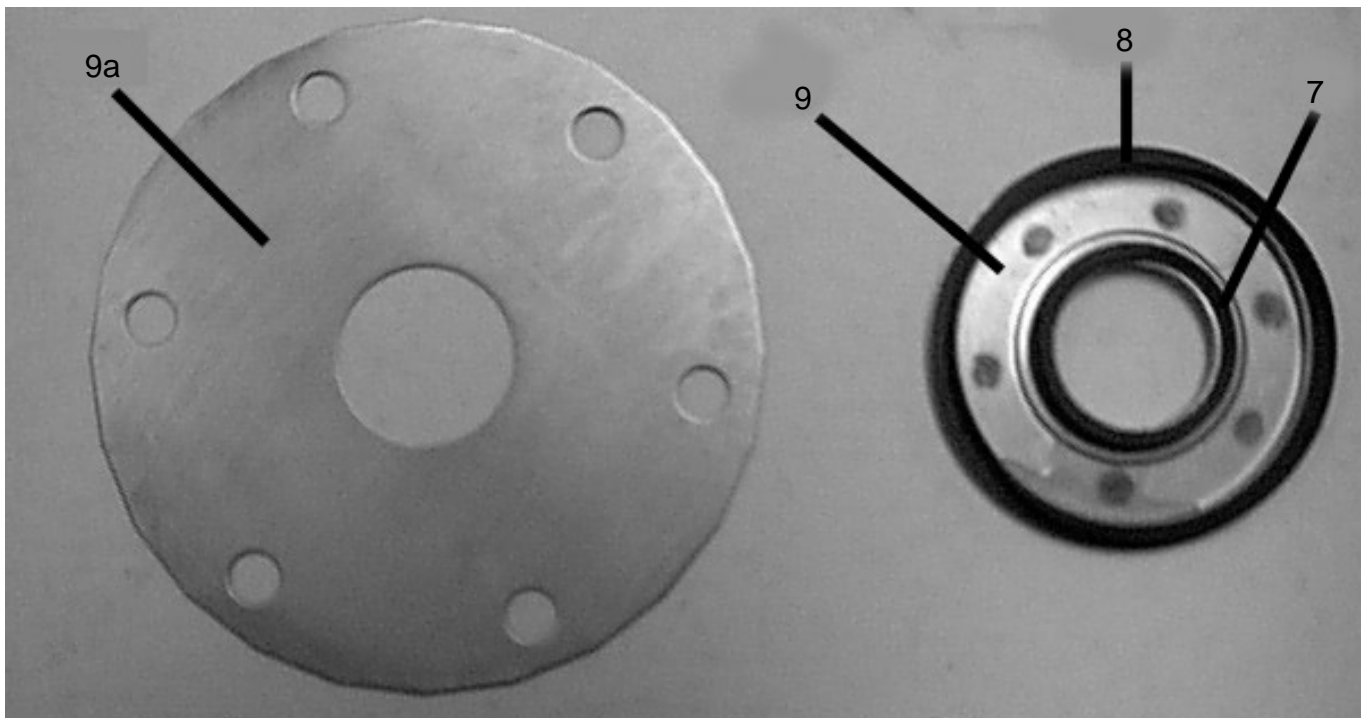
* Not Illustrated

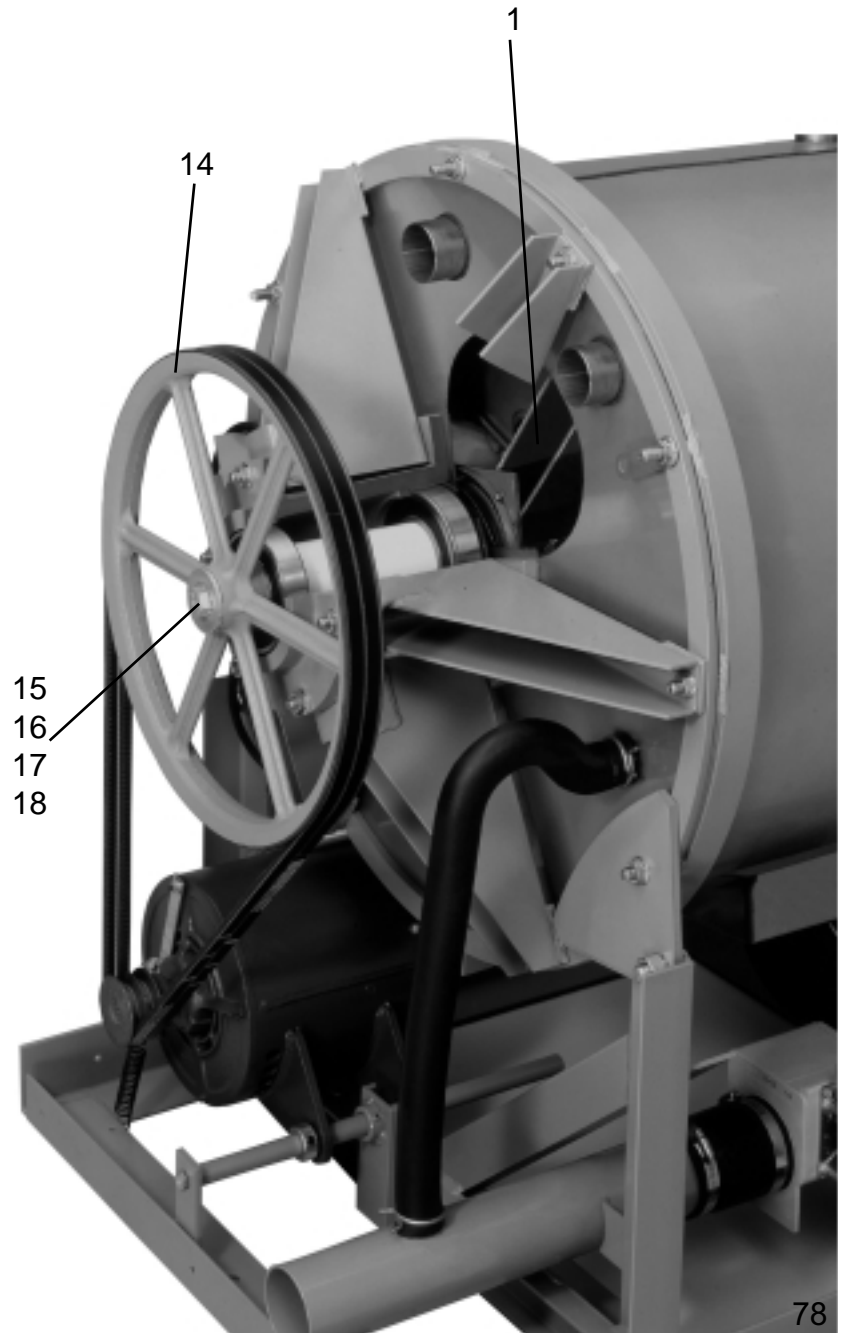
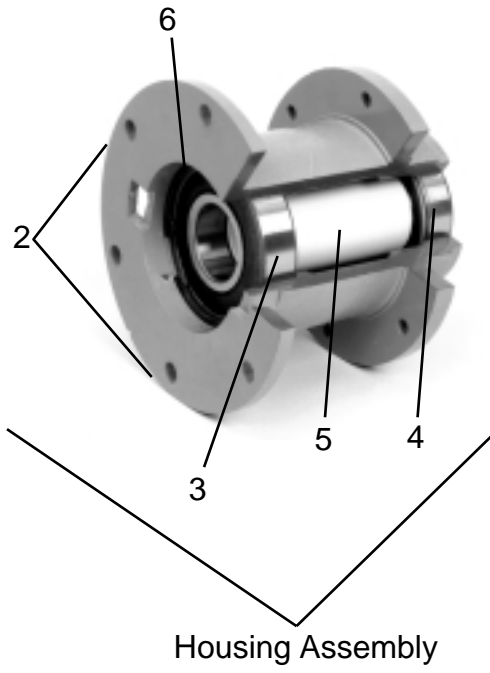
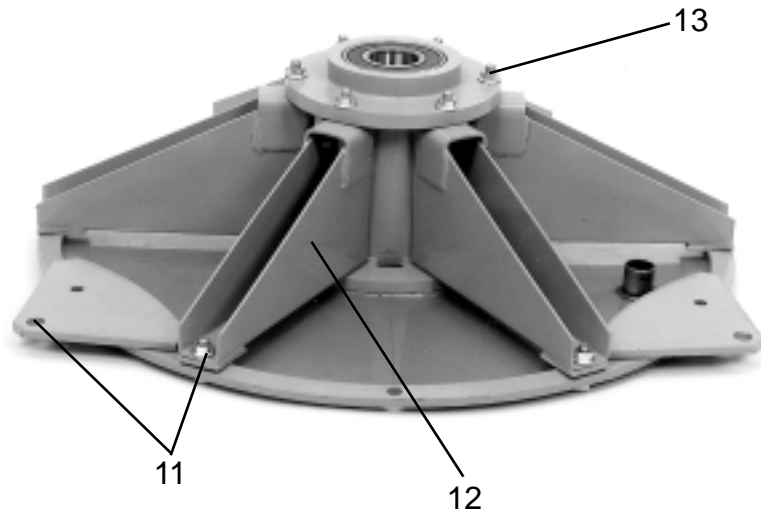


BEARING HOUSING, WATER SEALS AND PULLEY GROUP

Key	Part Number	Description	MODELS	
			WCN40	
			A	A
1	9848-113-001	Cylinder, Assy	1	1
*	9456-041-007	Plug plastic inside cylinder	1	1
*	9803-186-001	Housing, Bearing- Assembly (includes items #2-#6)	1	1
2	9241-180-002	Housing, Bearing	1	1
3	9036-159-005	Bearing, Front	1	1
4	9036-159-004	Bearing, Rear	1	1
5	9538-167-001	Spacer, Bearing	1	1
6	9487-238-003	Ring, Bearing Retainer	1	1
7	9532-140-006	Seal, Secondary	1	1
8	9532-140-009	Seal, Primary	1	1
9	9950-042-001	Ring, Seal Mtg	1	1
9a	9487-261-002	Ring Seal Tub Back Mating Ring (between tub & bearing housing)	1	1
*	9732-137-003	Back Assy, Tub	1	1
11	9545-060-001	Screw, 5/8 x 1 1/2 Gr. 5	6	6
11	8640-425-001	Nut	6	6
11	8641-582-018	Lockwasher	6	6
12	9991-051-002	Support Assy., Bearing Housing	6	6
13	9545-059-003	Screw, 7/16 x 1 1/2 Gr 8	6	6
13	8640-416-005	Nut	6	6
14	9453-168-003	Pulley, Driven	1	1
15	9487-234-003	Ring, Tolerance	1	1
16	8641-581-032	Washer	1	1
17	9545-060-001	Screw	1	1
18	8641-582-018	Lockwasher	1	1

* Not Illustrated

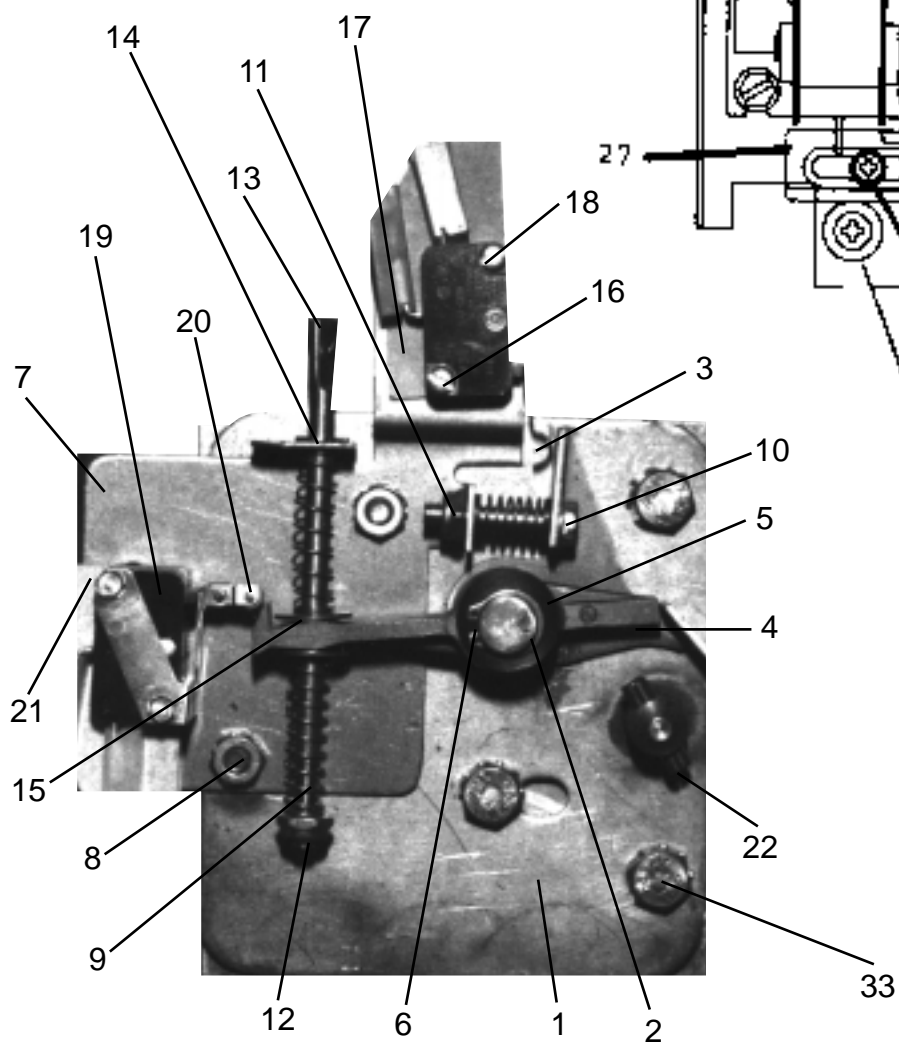
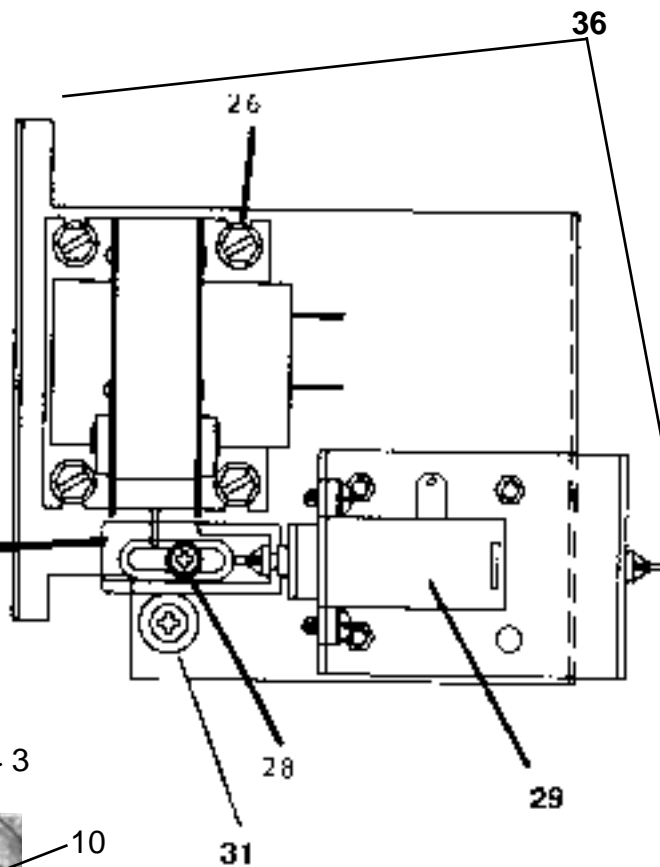
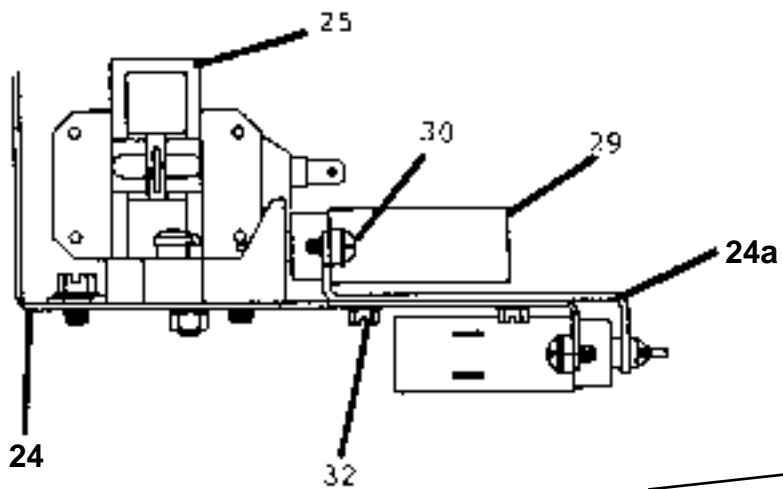




DOOR LOCK GROUP

Key	Part Number	Description	MODELS	
			WCN40	
			A	A
			A	B
*	9885-023-001	Lock Assy, Complete (includes #1 thru #23)	1	1
1	9982-284-001	Plate Assy, Door Lock.....	1	1
2	8641-581-030	Washer, Flat	1	1
3	9008-005-001	Actuator, Latching Switch	1	1
4	9450-002-002	Pawl, Locking	1	1
5	8641-569-003	Washer, Spring	1	1
6	9487-200-004	Ring, Retaining	1	1
7	9029-035-001	Bracket, Switch	1	1
8	8640-413-002	Nut, Hex	2	2
9	9534-364-002	Spring, Actuating	1	1
10	9545-012-020	Screw, Hx	1	1
11	8640-413-004	Nut, Elastic Stop	2	2
12	9534-364-001	Spring, Return	2	2
13	9451-193-001	Pin, Guide	1	1
14	9487-200-005	Ring, Retaining	1	1
15	8641-581-031	Washer	2	2
16	9539-461-008	Switch, Latching Sensing	1	1
17	9550-169-003	Shield, Switch	3	3
18	9545-020-001	Screw	2	2
18	8640-401-001	Nut, Twin	2	2
19	9539-461-007	Switch, Locking Sensing.....	2	2
20	9008-006-002	Actuator, Switch	2	2
21	9545-020-003	Screw	2	2
21	8640-401-001	Nut, Twin	1	1
22	9451-181-004	Pin, Dowel	1	1
*	9552-037-001	Shim, Door Lock, Thin	AR	AR
*	9552-037-002	Shim, Door Lock, Thick	AR	AR
*	9545-018-004	Screw, Lock mtg1/4-20x3/4	3	3
*	8641-582-007	Lockwasher.....	3	3
36	9922-011-001	Solenoid Ass'y Door Locking (includes 24 thru 34).....	1	1
24	9029-073-001	Bracket, Solenoid	1	1
24a	9029-074-001	Bracket, ass'y solenoid slide	1	1
25	9536-074-001	Solenoid	1	1
26	9545-008-001	Screw, Solenoid Mtg.....	4	4
27	9540-033-002	Stop, Door Lock Solenoid.....	1	1
28	9545-061-001	Screw, Shoulder	1	1
29	9586-001-001	Thermoactuator	2	2
30	9545-031-004	Screw	4	4
31	9538-157-004	Spacer, Plastic	1	1
31	9538-166-004	Spacer, Metal	1	1
31	9545-010-001	Screw, Cross Recessed	1	1
31	8640-412-005	Nut, Keps #8.....	1	1
*	8640-411-003	Nut, Keps #6.....	2	2
*	8640-413-002	Nut, Sol. Brkt to Control Panel	1	1
32	9545-044-003	Screws # 6(for mounting to sol. brkt.)	3	3
*	9497-225-006	Rod, Pull	1	1
33	9545-018-014	Bolts for mounting assembly to tub front	3	3

* Not Illustrated

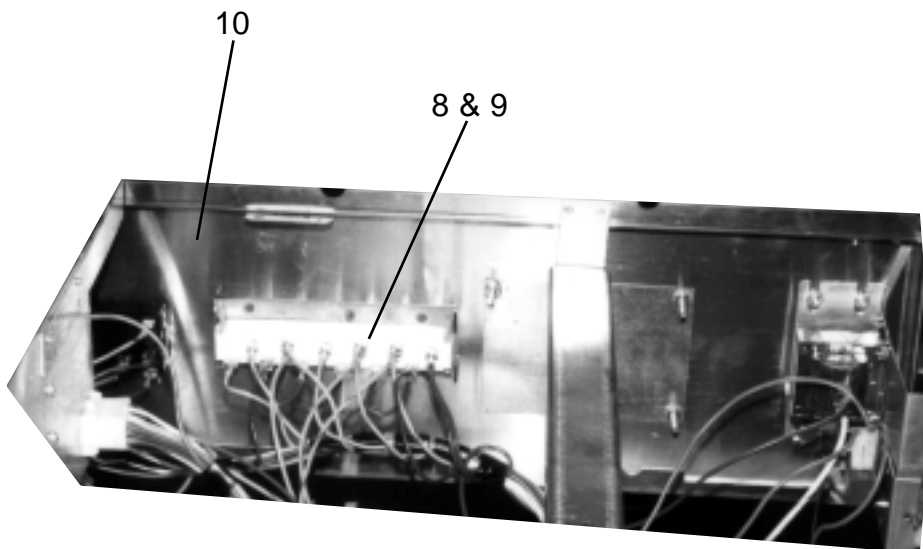
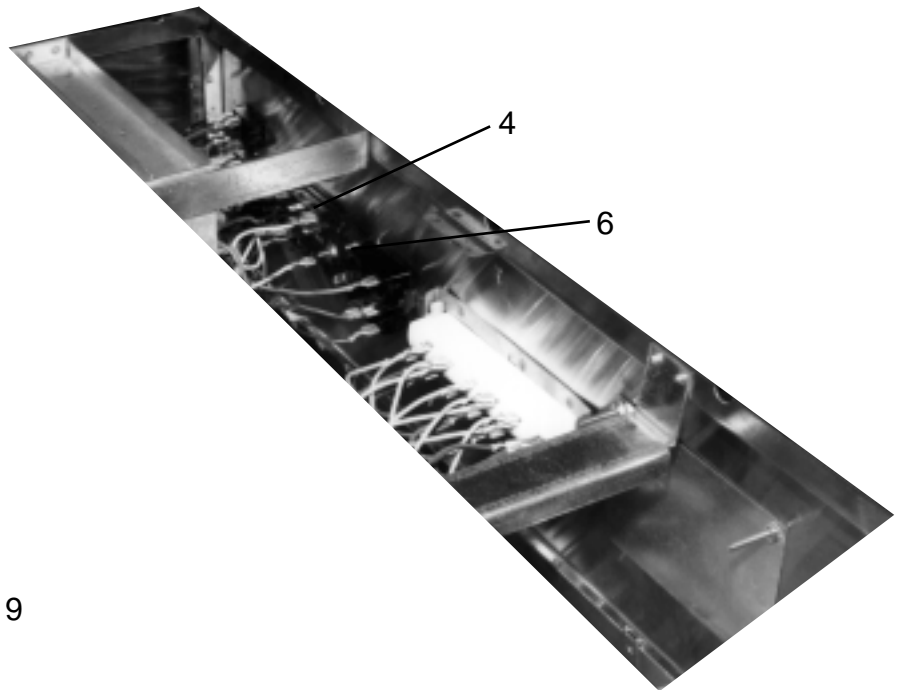
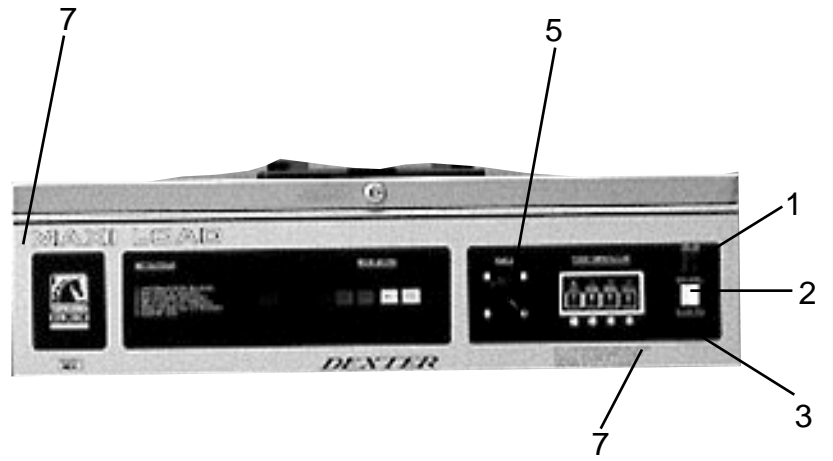
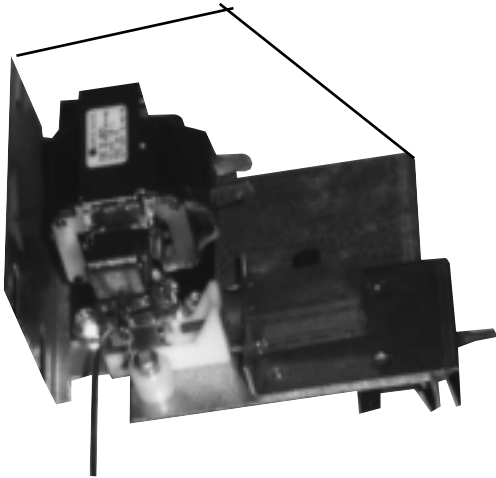


CONTROL PANEL GROUP

Key	Part Number	Description	MODELS	
			WCN40	
			A	A
			A	B
1	9539-474-004	Switch, Red--OFF/ON.....	1	1
2	9539-474-005	Switch, White--ADVANCE/START	1	1
3	9539-474-006	Switch, Blue--PAUSE/RUN.....	1	1
4	9539-471-001	Switch, Rotary Selector	1	1
6	9539-479-007	Switch, Push-button (cycle selector)	1	1
5	9307-176-001	Knob, Control	1	1
*	9545-044-004	Screw, 6-32 x 1/4"	1	1
7	9412-096-002	Nameplate MAXILOAD.....	1	1
*	9538-165-001	Spacer	2	2
*	8640-412-003	Nut, Switch mounting	2	2
8	3310-041-001	Light, Cycle Control	1	1
9	9206-100-001	Gasket, Light	2	2
10	9989-458-001	Panel Assembly --Control	1	1

* Not Illustrated

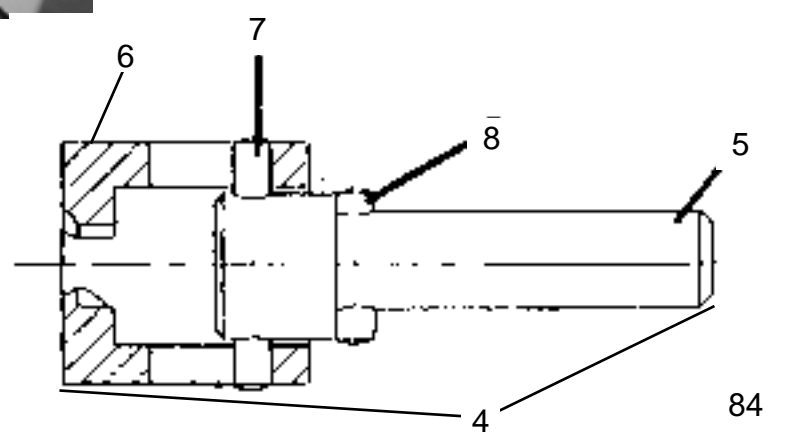
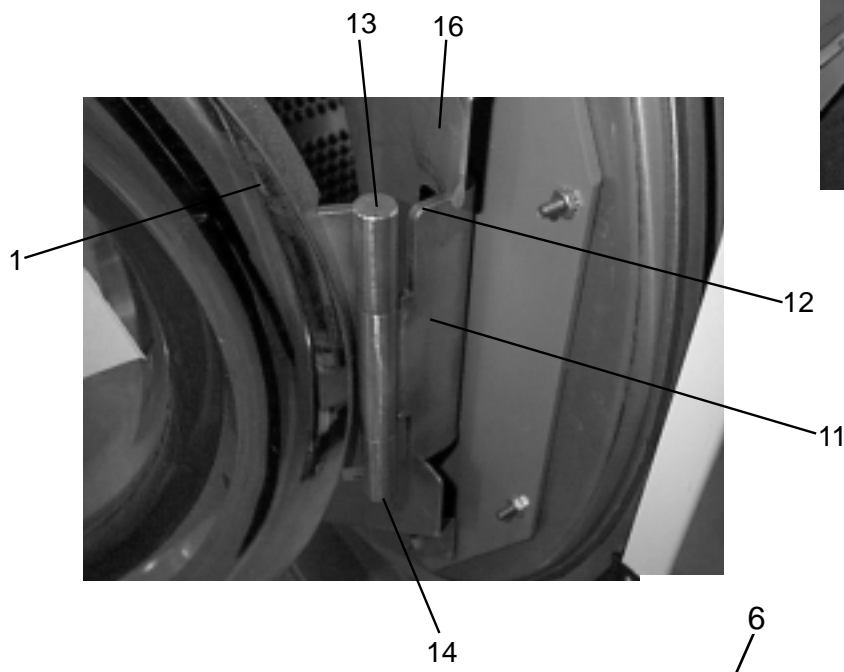
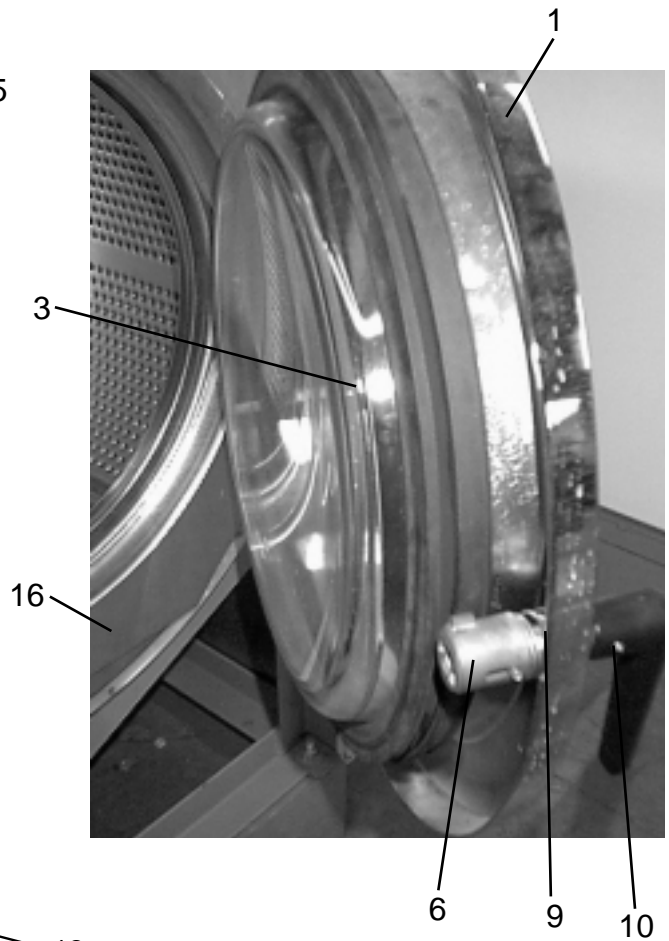
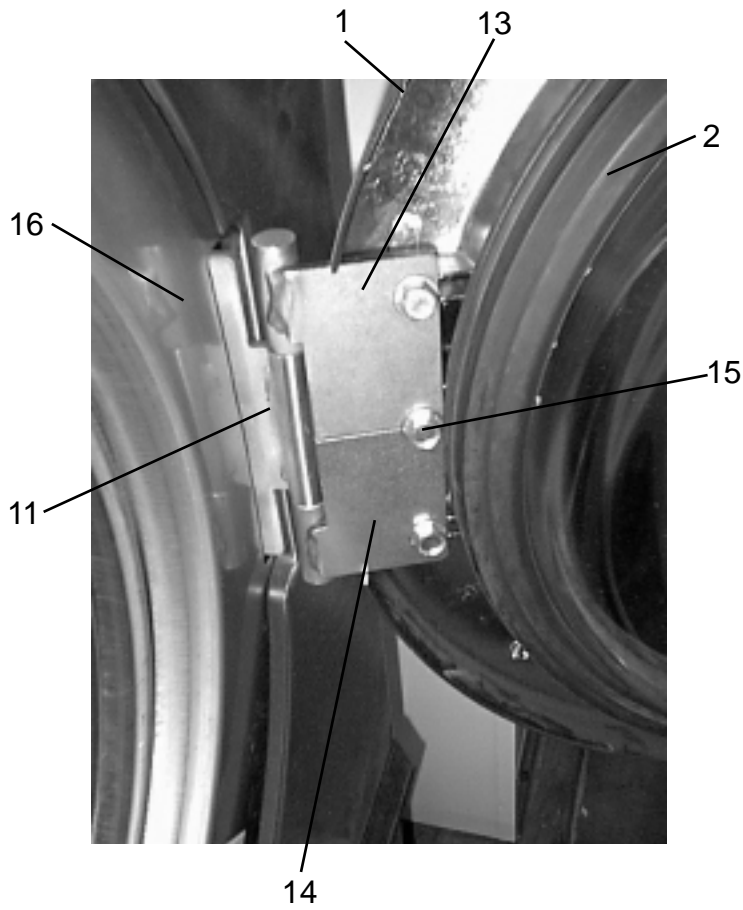
Solonoid Assebly
(see Door Lock Group)



LOADING DOOR GROUP T-600 WITH FULL OPEN HINGE

			MODELS WCN40	
			A	A
			A	B
Key	Part Number	Description		
*	9960-259-006	Loading Door, Complete (includes #1 thru #10)	1	1
1	9487-230-002	Loading Door, Ring	1	1
2	9206-419-001	Gasket, Loading Door	1	1
3	9635-016-001	Window, Loading Door	1	1
4	9913-134-003	Shaft Assy, Locking (includes #5 thru #8)	1	1
5	9537-195-002	Shaft, Door Locking	1	1
6	9095-040-001	Cam, Locking	1	1
7	9451-181-005	Pin, Groove (1 1/4)	1	1
8	9451-181-004	Pin, Groove (3/4)	1	1
9	9534-360-002	Spring, Lock Cam	1	1
10	9244-080-003	Handle, Door	1	1
*	9451-181-006	Pin, Door Handle (groove)	1	1
11	9955-030-001	Hinge Assy, Loading Door	1	1
12	9545-014-009	Screw, Hinge Mtg	3	3
12	8641-582-009	Lockwasher	3	3
12	9552-036-001	Shim, Loading Door Hinge, Thin	AR	AR
12	9552-036-002	Shim, Loading Door Hinge, Thick	AR	AR
13	9845-005-001	Top, Loading Door Leaf Hinge	1	1
14	9845-005-002	Bottom, Loading Door Leaf Hinge	1	1
15	9545-056-002	Screw, Loading Door Mtg	3	3
16	9487-254-002	Ring, Masking	1	1
*	8640-413-002	Nut	4	4
*	9059-063-002	Band Edge Protector	1	1

* Not Illustrated

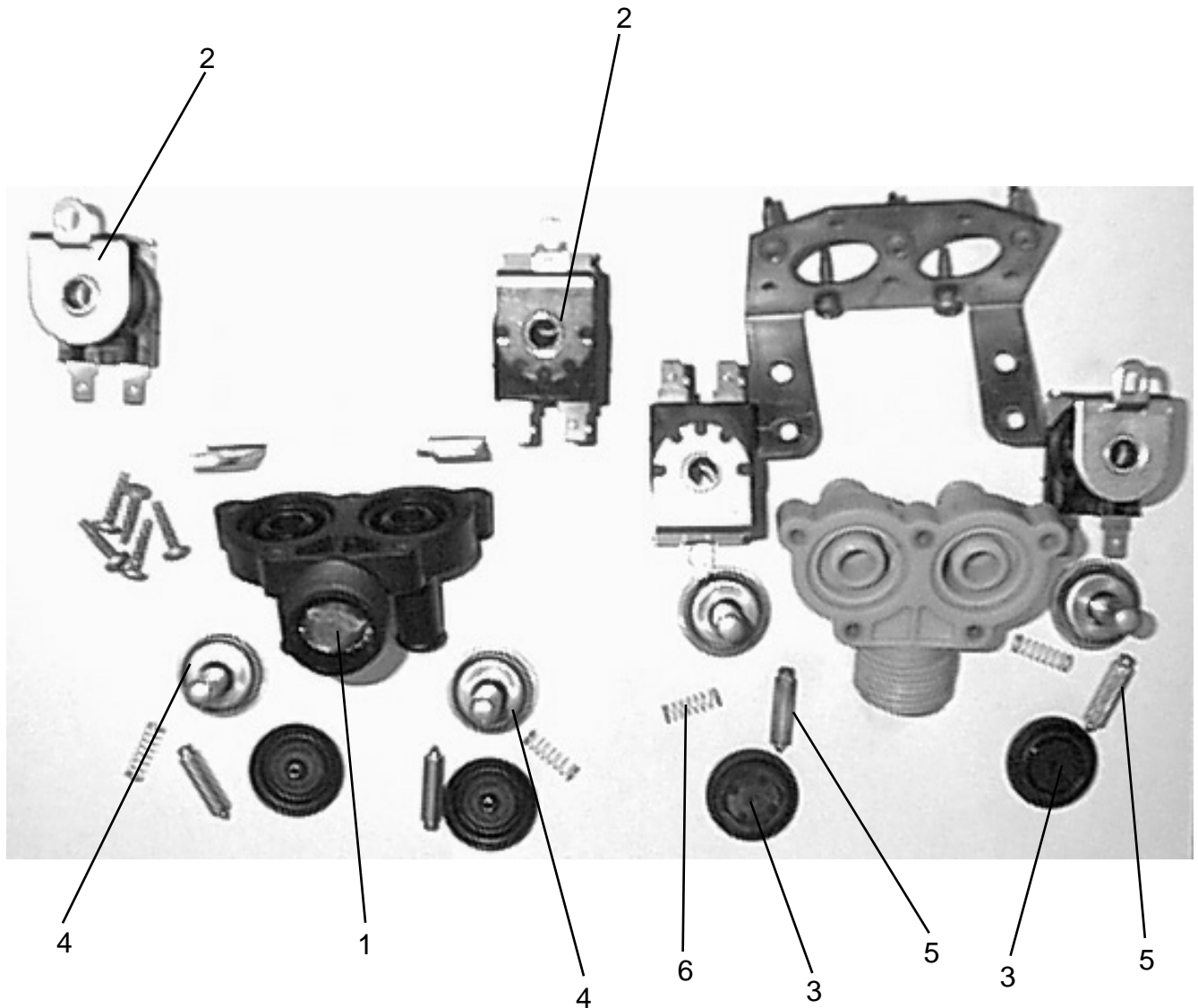


WATER INLET VALVE BREAKDOWN

**MODELS
WCN40**

Key	Part Number	Description	MODELS	
			WCN40	
			A	A
			A	B
*	9379-183-003	Valve, Water Inlet Blue (includes #1 thru #6)	1	1
*	9379-183-004	Valve, Water Inlet Black (includes #1 thru #6)	1	1
1	9555-056-001	Screen, Inlet	2	2
2	9089-017-001	Coil Assy., 120 V	2	2
3	9118-049-001	Diaphragm	2	2
*	9118-049-002	Diaphragm (chemical resistant)	optional	
4	9211-021-002	Guide, Solenoid	2	2
5	9015-008-001	Armature	2	2
6	9534-298-001	Spring, Armature	2	2
*	9545-008-026	Screw, Valve Mtg	2	2

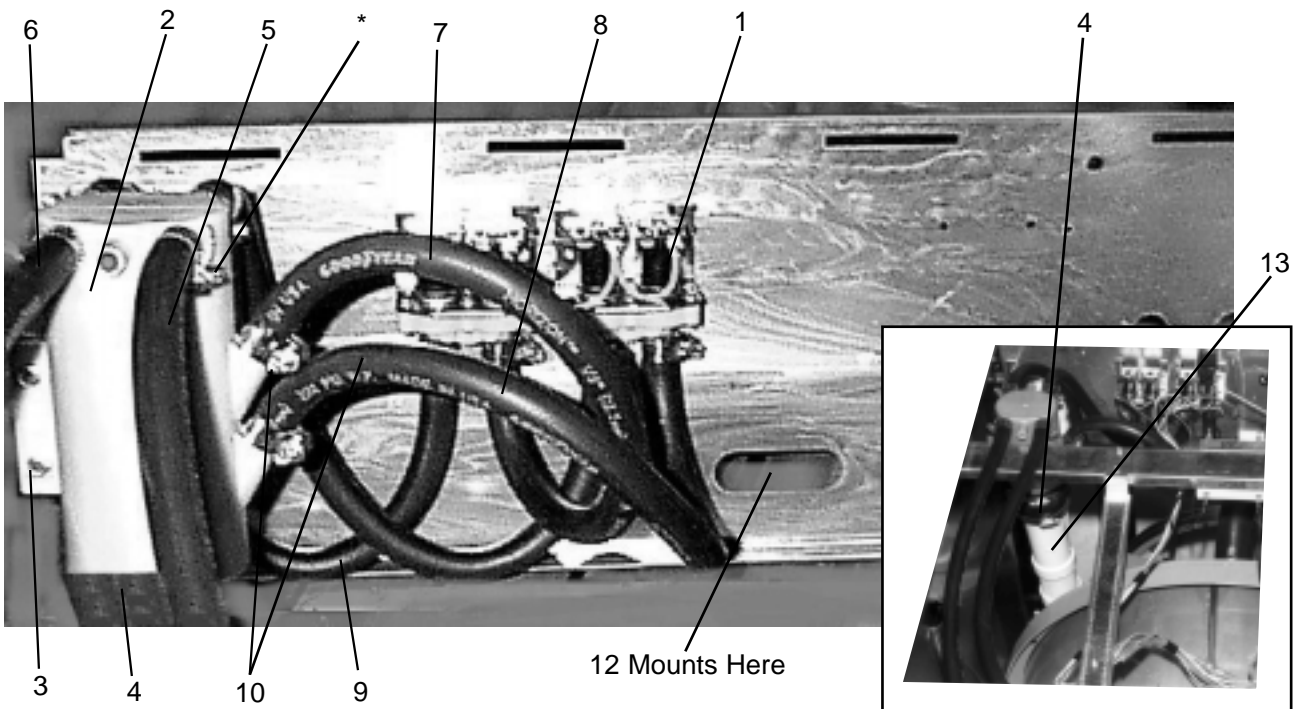
* Not Illustrated



WATER INLET GROUP

			MODELS	
			WCN40	
			A	A
			A	B
Key	Part Number	Description		
1	9379-183-003	Valve, Water Inlet Blue	1	1
1	9379-183-004	Valve, Water Inlet Black	1	1
*	9545-008-026	Screw, Valve Mtg	4	4
*	8640-399-006	Nut, Spring	4	4
2	9610-001-001	Vacuum Breaker	1	1
3	9029-069-001	Bracket, Vacuum Breaker	1	1
*	9545-008-026	Screw	4	4
4	9242-461-001	Hose, INJECTOR to Vac. Breaker	1	1
*	8654-117-009	Clamp, Tub End	2	2
*	8654-117-008	Clamp,	2	2
5	9242-453-008	Hose, Vacuum Breaker to Dispenser 26"	1	1
6	9242-453-009	Hose, Vacuum Breaker to Dispenser 23"	1	1
7	9242-453-020	Hose, Hot Valve to Vacuum Breaker 18"	1	1
8	9242-453-020	Hose, Cold Valve to Vacuum Breaker 18"	1	1
9	9242-453-020	Hose, Hot Valve to Vacuum Breaker 18"	1	1
10	9242-453-020	Hose, Cold to Vacuum Breaker 18"	1	1
*	9242-462-001	Hose, Injector to Tub	1	1
*	8654-117-015	Clamp, Hose-Worm	13	13
13	9883-007-001	Injector assembly P V C	1	1
12	9242-463-003	Hose , Overflow	1	1
*	9475-002-002	Flow restrictors	2	2
*	0935-127-001	End Cap (for chemical injection hose insertion)	1	1

* Not Illustrated



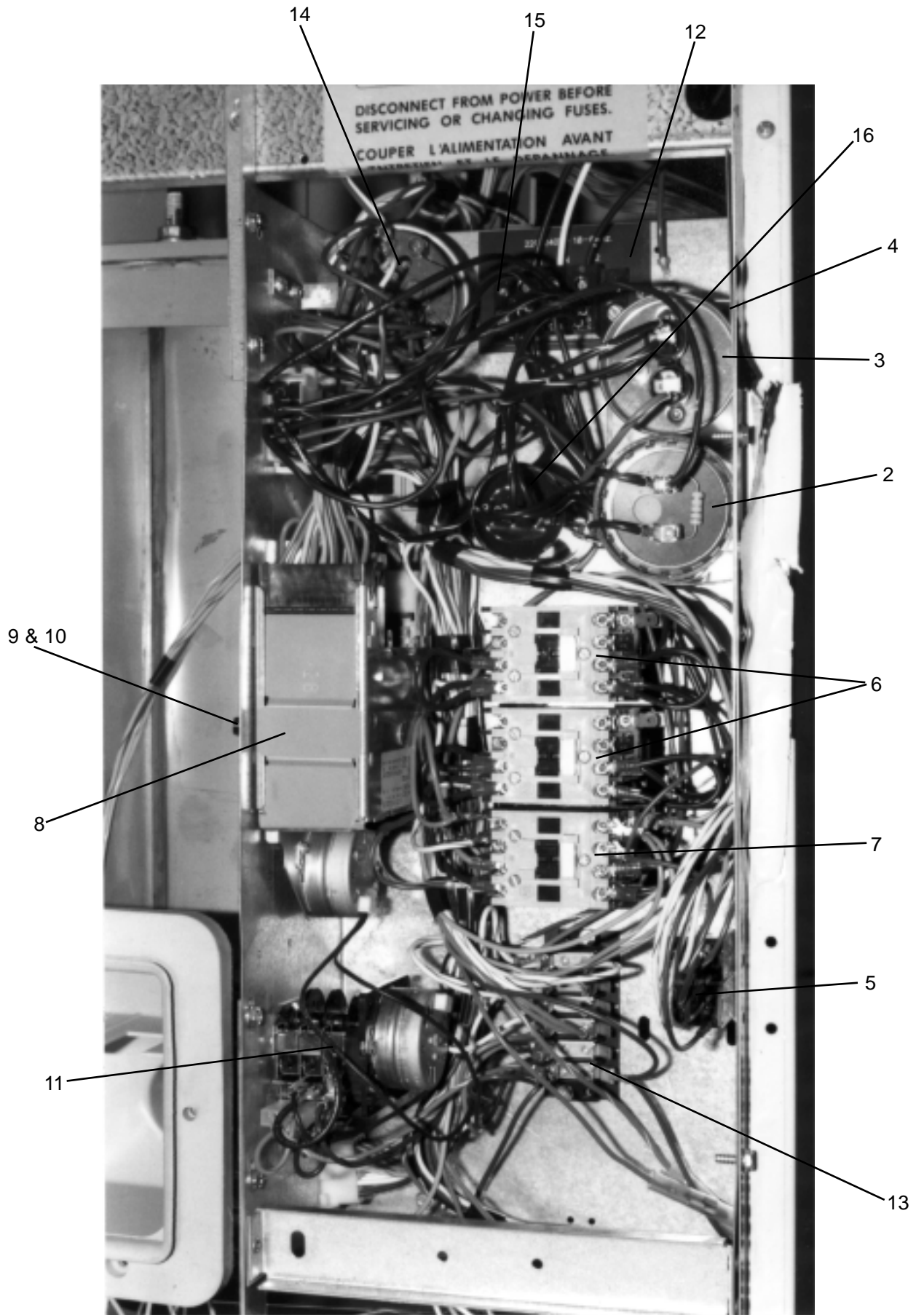
ELECTRICAL COMPONENTS - TOP COMPARTMENT

Single Phase Only

MODELS
WCN40
A A
A B

Key	Part Number	Description	A	B
1	9839-012-003	Trough Assy, Controls Mtg	1	
*	9003-229-001	Angle, Trough to Rear Channel	1	
*	9545-008-026	Screw	4	
*	9029-061-001	Front Bracket (mounting to control panel)	1	
2	5191-102-006	Capacitor, Spin-Start (plastic).....	1	
3	5191-103-009	Capacitor, Run-Tumble (metal).....	1	
4	9544-054-001	Strap, Capacitor Mtg.....	1	
*	9545-045-001	Screw, Capacitor Strap.....	2	
5	5192-285-001	Relay, (small)	2	
6	5192-286-007	Relay, Tumble	2	
7	5192-286-008	Relay, Spin	1	
8	9571-361-004	Timer, Program	1	
(VERIFY PART NUMBER ON TIMER BODY)				
*	9376-295-004	Motor, Timer Main Drive	1	
*	9376-286-004	Motor, Timer Rapid Advance	1	
*	9545-012-001	Screw, Timer Mtg	2	
9	9107-067-001	Dial, Timer	1	
10	9307-176-001	Knob, Timer (w/set screws)	1	
11	9571-360-001	Timer, Reversing.....	1	
*	9545-044-004	Screw, Reversing Timer	2	
12	9897-033-002	Terminal Block, Power Connection.....	1	
*	9545-045-007	Screw, Mtg	2	
*	8502-619-003	Label, Fusing	1	
13	9897-029-001	Terminal Block Assy, 12 Lug.....	1	
*	9545-045-007	Screw, Mtg	2	
*	9558-022-001	Strip, Terminal Marker	1	
14	9539-489-001	Switch, Pressure.....	1	
*	9545-045-001	Screw, Mtg	2	
*	5198-211-004	Circuit Breaker, 1.5 amp.....	1	
15	8652-130-037	Lug, Grounding.....	1	
*	8639-621-007	Screw, Mtg	1	
*	8641-582-006	Lockwasher.....	1	
16	9539-478-002	Solid State Start Switch	1	
*	9029-062-001	Strap, Mtg	1	
*	9545-010-001	Screw	1	
*	8640-412-005	Nut	1	
*	9545-031-003	Screw	1	

* Not Illustrated

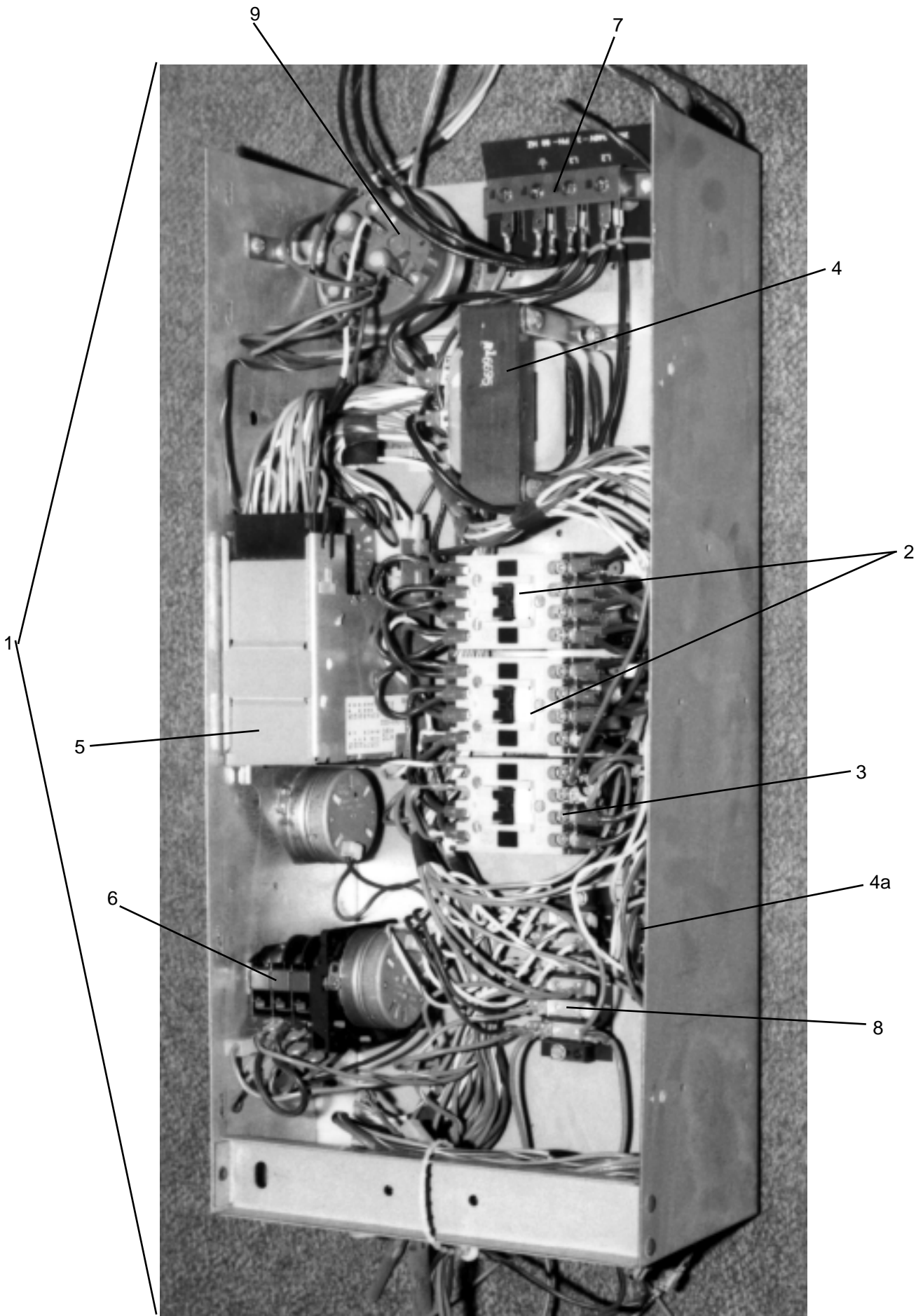


ELECTRICAL COMPONENTS - TOP COMPARTMENT

Three Phase Only

Key	Part Number	Description	MODELS	
			WCN40	
			A	A
			A	B
1	9839-012-003	Trough Assy, Controls Mtg		1
*	9003-229-001	Angle, Trough to Rear Channel		1
*	9545-008-026	Screw		4
*	9029-061-001	Front Bracket (mounting to control panel).....		1
2	5192-286-007	Relay, Tumble		2
3	5192-286-009	Relay, Spin		1
4	8711-004-001	Transformer, Control		1
*	9545-008-026	Screw		1
*	8641-582-006	Lockwasher.....		1
	8653-074-001	Connector		1
4a	5192-285-001	Relay Small		
5	9571-361-004	Timer, Program		1
(VERIFY PART NUMBER ON TIMER BODY)				
*	9376-295-004	Motor, Timer Main Drive		1
*	9376-286-004	Motor, Timer Rapid Advance		1
*	9545-012-001	Screw, Timer Mtg		2
*	9107-067-001	Dial, Timer Decal		1
*	9307-176-001	Knob, Timer (w/set screws)		1
6	9571-360-001	Timer, Reversing.....		1
*	9545-044-004	Screw, Reversing Timer Mtg		2
7	9897-035-002	Terminal Block, Power Connection.....		1
*	9545-045-007	Screw, Mtg		2
*	8502-619-004	Label, Fusing		1
8	9897-034-001	Terminal Block Assy, 12 Lug.....		1
*	9545-045-007	Screw, Mtg		2
*	9558-022-001	Strip, Terminal Marker		1
9	9539-489-001	Switch, Pressure.....		1
*	9545-045-001	Screw, Mtg		2
*	5198-211-004	Circuit Breaker, 1.5 amp.....		1
*	8652-130-037	Lug, Grounding.....		1
*	8639-621-007	Screw, Mtg		1
*	8641-582-006	Lockwasher.....		1

* Not Illustrated

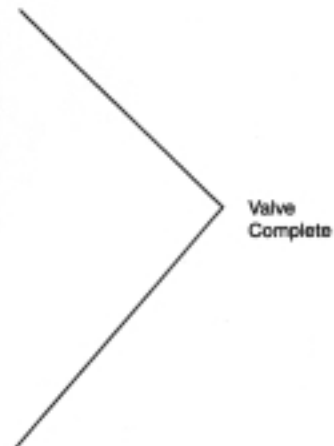
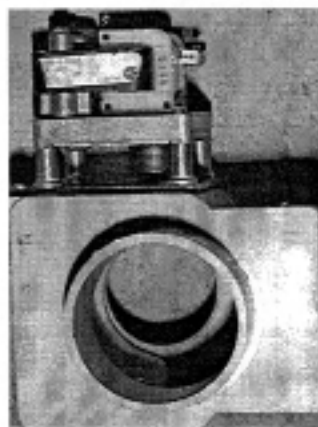
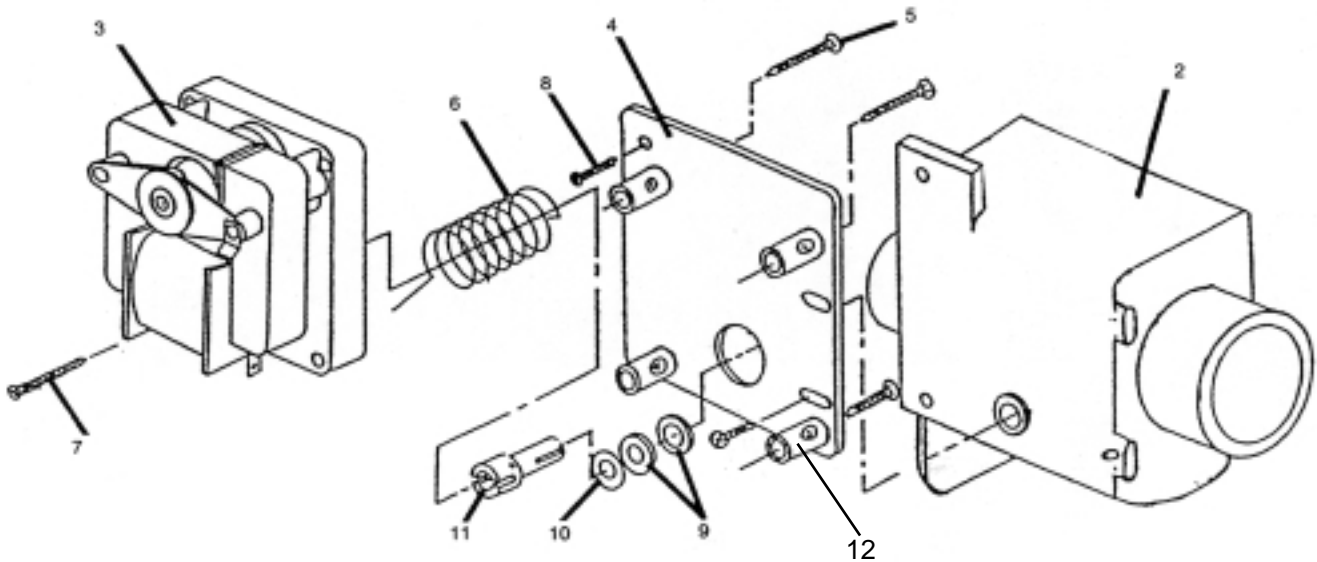


DRAIN VALVE GROUP

MODELS
WCN40

A A B

Key	Part Number	Description	A	A	B
	9379-187-001	Valve, Drain (includes #2 thru #11)	1		1
2	9064-070-001	Body, Valve (w/ball)	1		1
3	9914-137-001	Motor & Gear Train	1		1
4	9452-538-001	Plate, Motor Mtg	1		1
5	8639-994-001	Screw	3		3
6	9534-339-001	Spring, Drive	1		1
7	9545-054-001	Screw	2		2
8	9545-054-002	Screw	1		1
9	9532-134-001	Seal, V Packer	2		2
10	8641-584-001	Washer	1		1
11	9451-196-001	Pin, Main Drive	1		1
12	9538-149-001	Spacer, Plate Motor Mtg	4		4



Valve
Complete

TERMINAL BLOCKS

Key	Part Number	Description	MODELS	
			WCN40	
			A	A
			A	B
	9897-035-001	Terminal Block	1	
	9558-027-001	Strip Marker	1	
	9897-033-002	Terminal Block Power	1	1
	9558-022-001	Strip Marker	1	1
	9545-045-007	Screw	2	2
	9897-035-002	Terminal Block 4 Pole		1
	9558-029-001	Strip Marker		1
	9897-032-002	Terminal Block Injector	1	1
	9556-028-001	Strip Maker	1	1
	9545-053-002	Screw	1	1
	9857-034-001	Terminal Block Power	1	1
	9558-025-001	Strip Marker	1	1
	8652-134-001	Terminal Lug, Ground	1	1
	8639-621-00	Screw	1	1
	8641-582-006	Lockwasher.....	1	1
	8652-130-037	Terminal , Grounding	1	1
	8639-621-007	Screw	1	1
	8641-582-006	Lockwasher.....	1	1

LABELS

Key	Part Number	Description	MODELS	
			WCN40	
			A	A
			A	B
	9345-783-002	Label Maintimer(chart)	1	1
	9345-794-002	Wiring Label-Schematic	1	1
	9345-796-004	Wiring Label-Diagram.....	1	
	8502-624-002	Label Warning Door Opening.....	1	1
	8502-614-004	Label High Voltage	1	1
	8502-647-001	Label Connections Injector.....	1	1
	8502-649-001	Label Connections Electrical	1	1
	8502-619-003	Label Fusing & Installation	1	1
	9345-795-003	Wiring Diagram 3 ph		1

WIRING HARNESS GROUP

Key	Part Number	Description	MODELS	
			WCN40	
			A	A
			A	B
	USE FOLLOWING TWO ITEMS WITH TIMER PART NUMBER 9571-359-002			
	9627-680-002	Wiring Harness, Main	1	1
	9627-681-003	Wiring Harness, Control	1	1
	USE FOLLOWING TWO ITEMS WITH TIMER PART NUMBER 9571-361-002			
	9627-702-003	Wiring Harnss, Main	1	1
	9627-694-001	Wiring Harness, Control	1	1
	9627-691-001	Wiring Harness, Injector Control	1	1
	9627-683-001	Wiring Harness, Drain Valve.....	1	1
	8654-125-0012	Clamp, Cable- 1/4" Diameter	1	1